

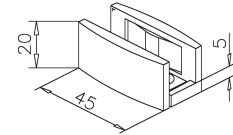
Sliding door - 300

1

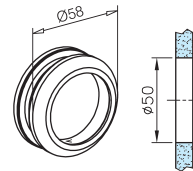


Art.no.	glass
46.0300.000.46	8 - 12 mm

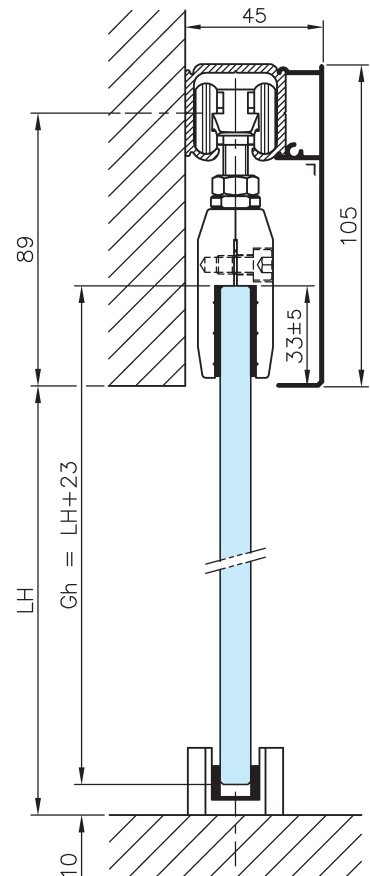
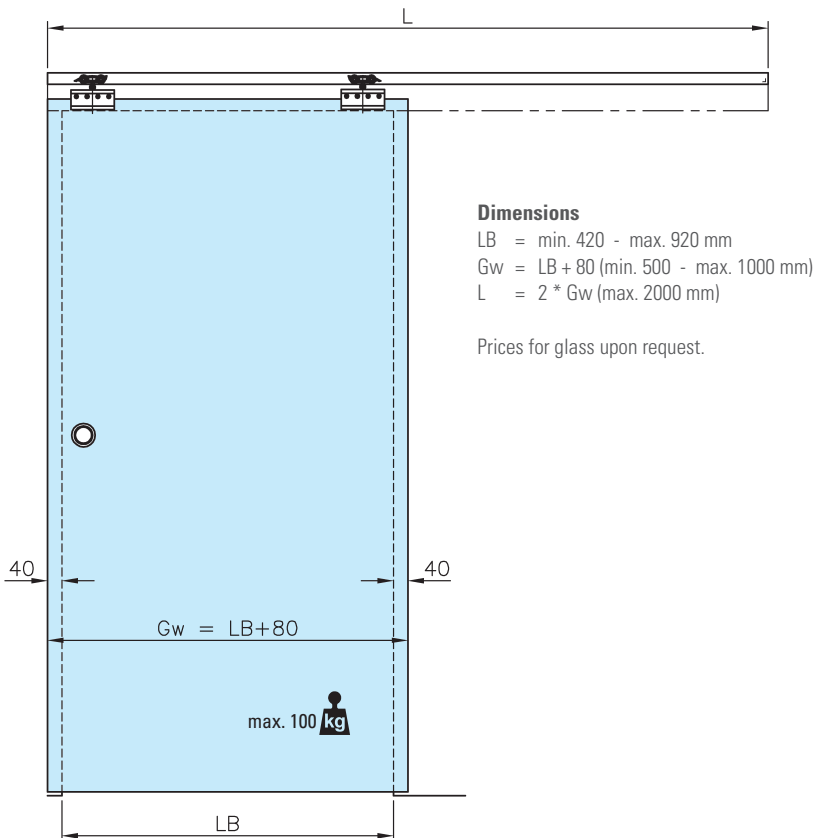
incl. door sliding guide



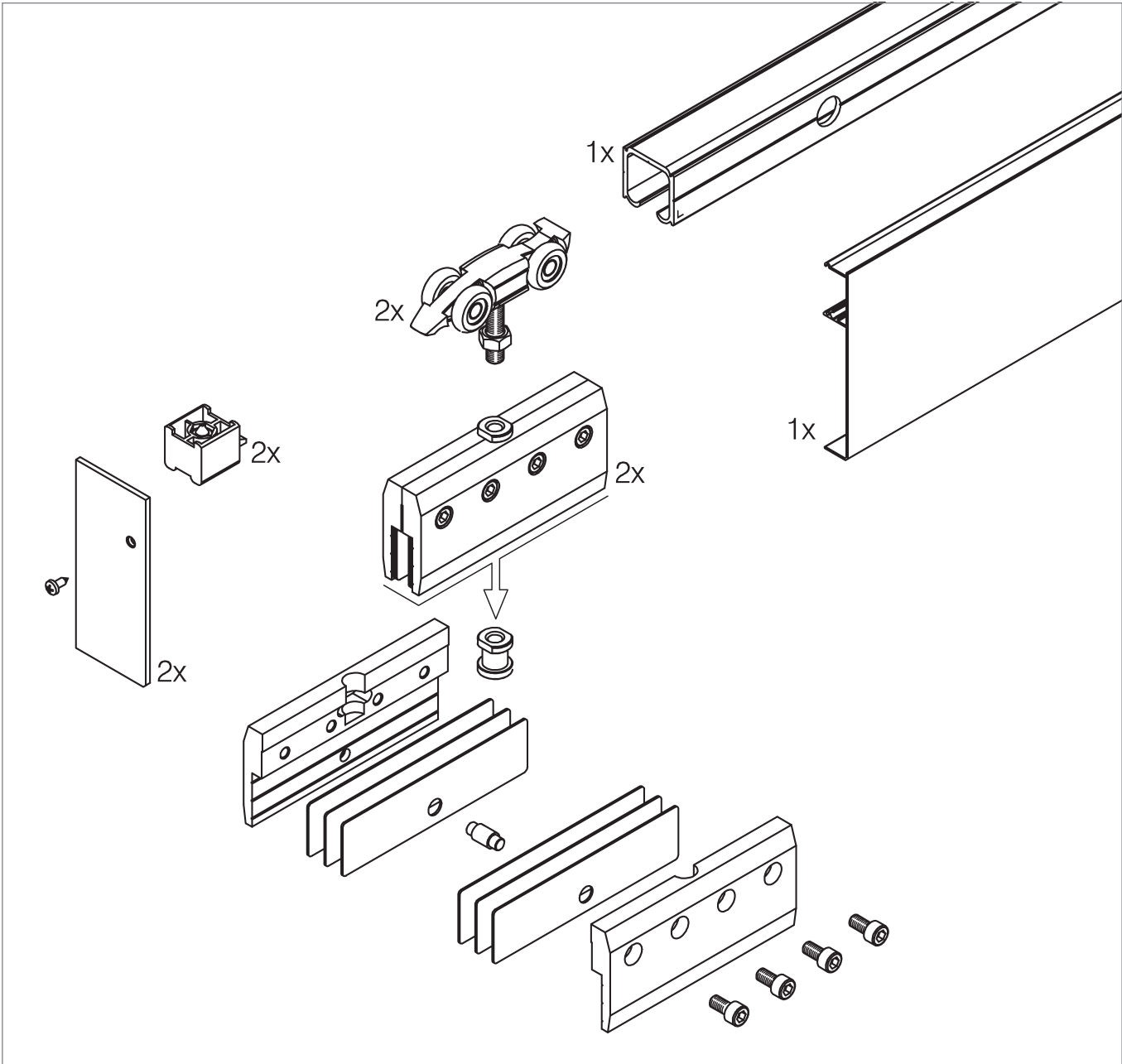
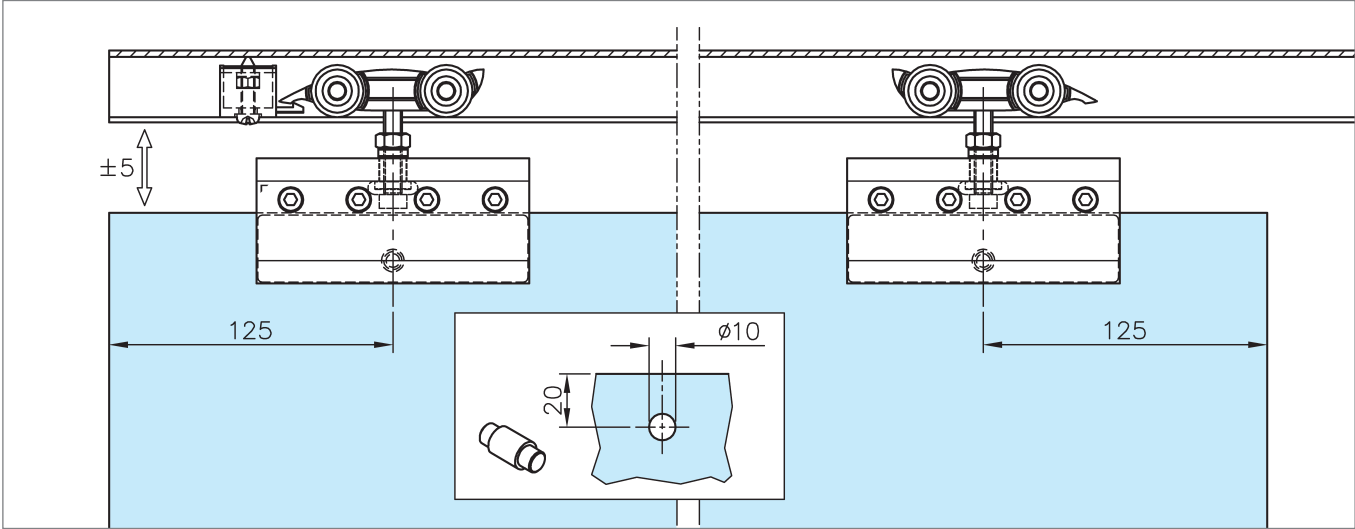
incl. recessed grip



INFO Finish



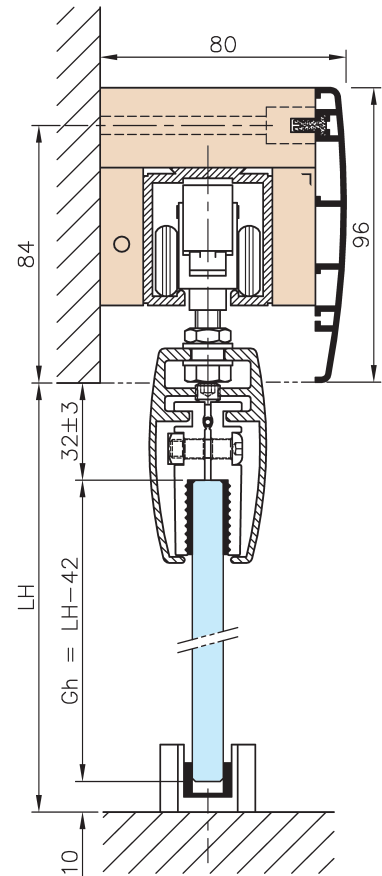
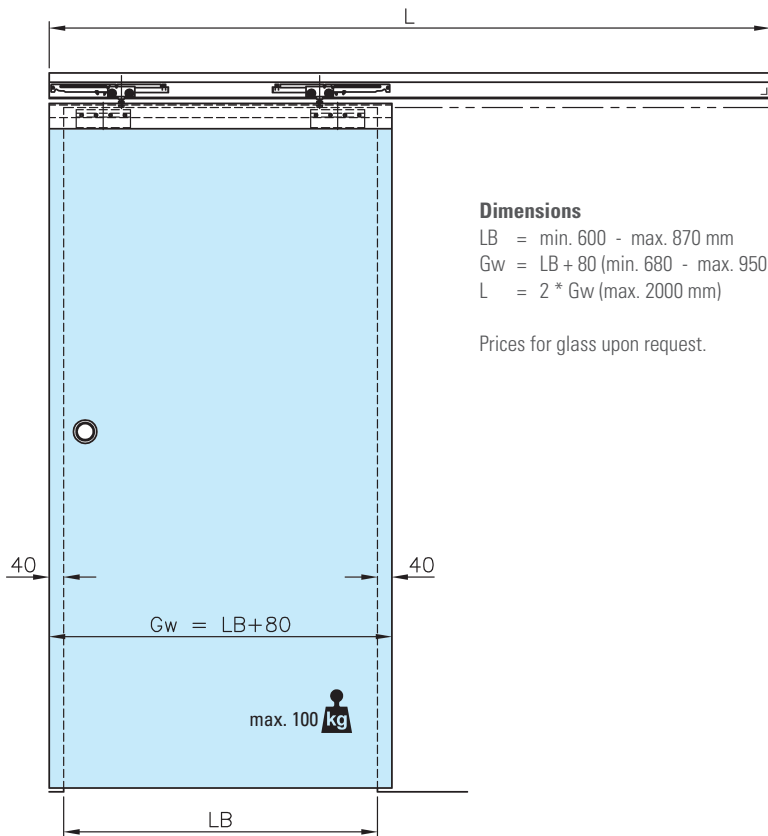
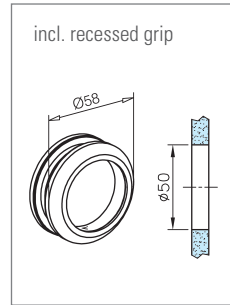
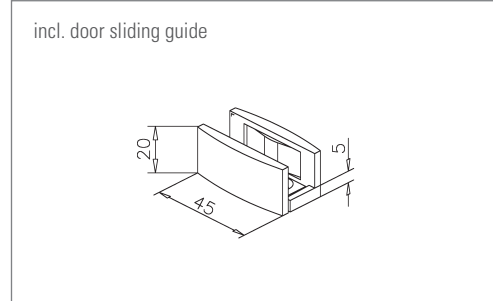
INFO 46.0300.000.46



Sliding door - 310

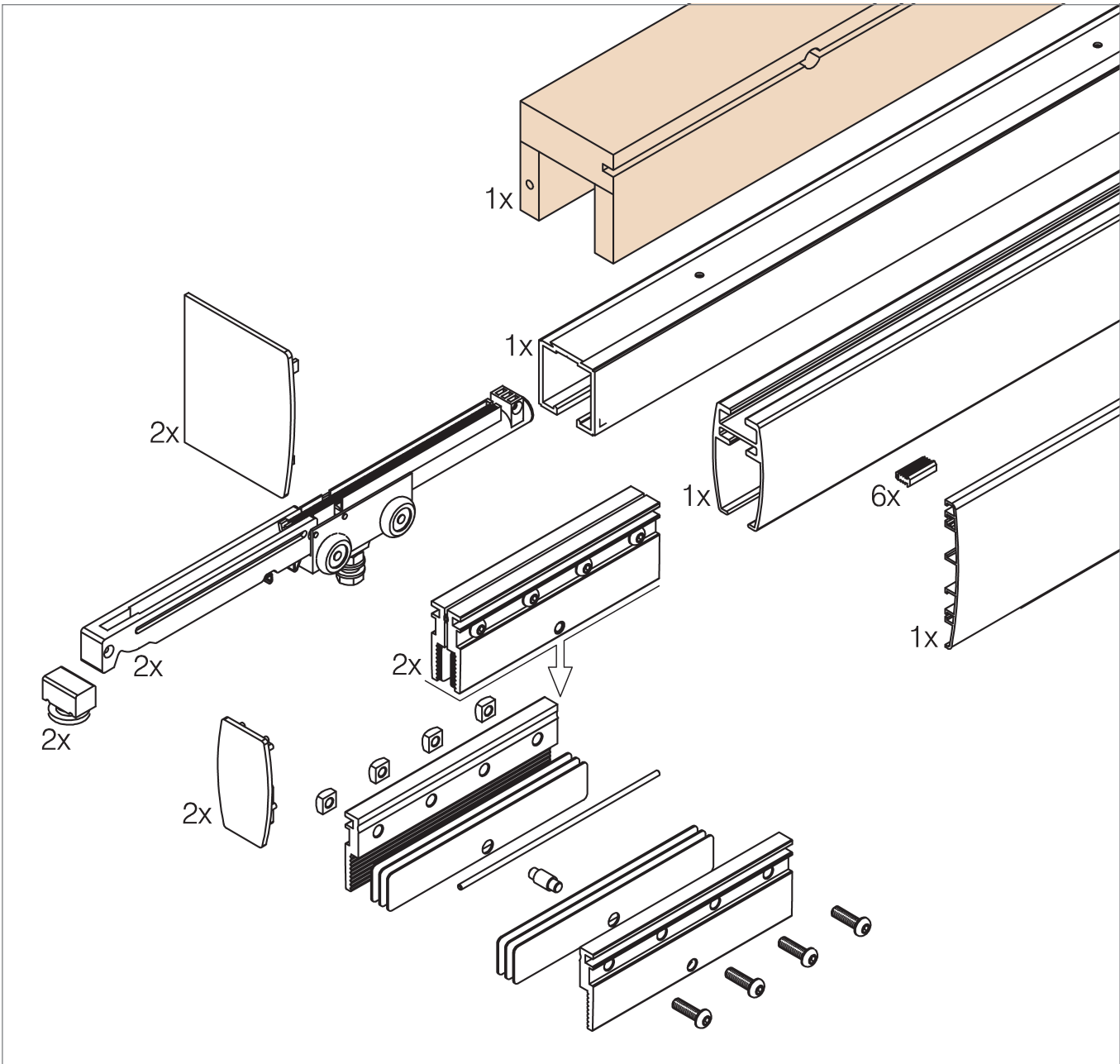
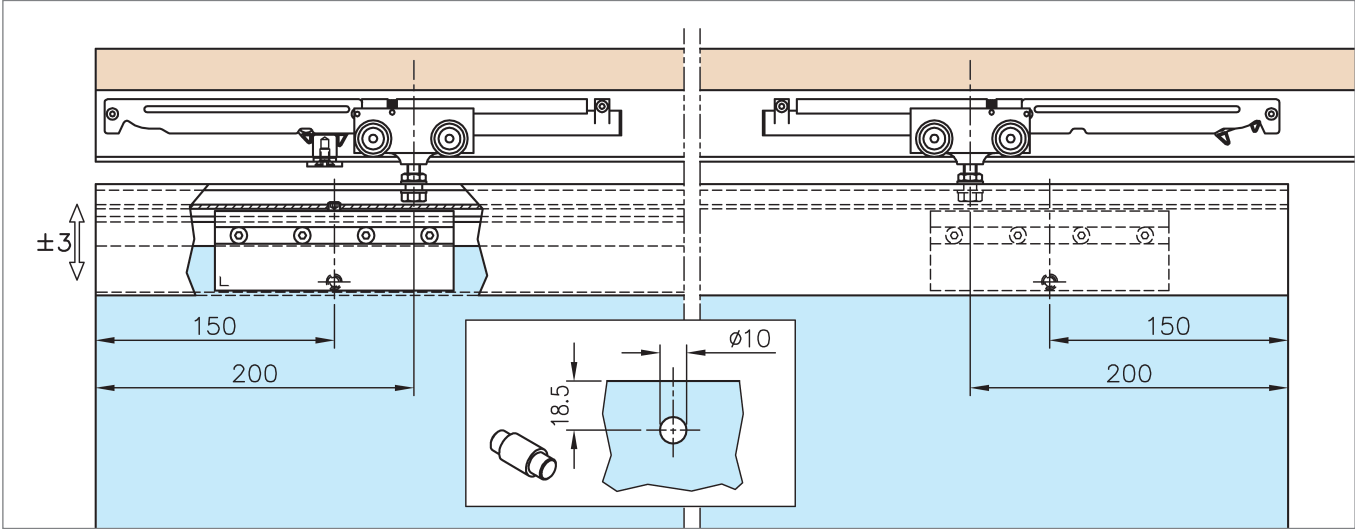


Art.no.	glass
46.0310.000.46	8 - 12 mm



INFO 46.0310.000.46

1

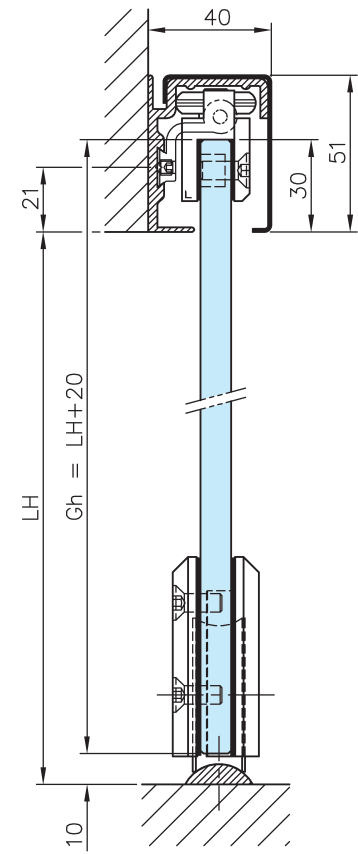
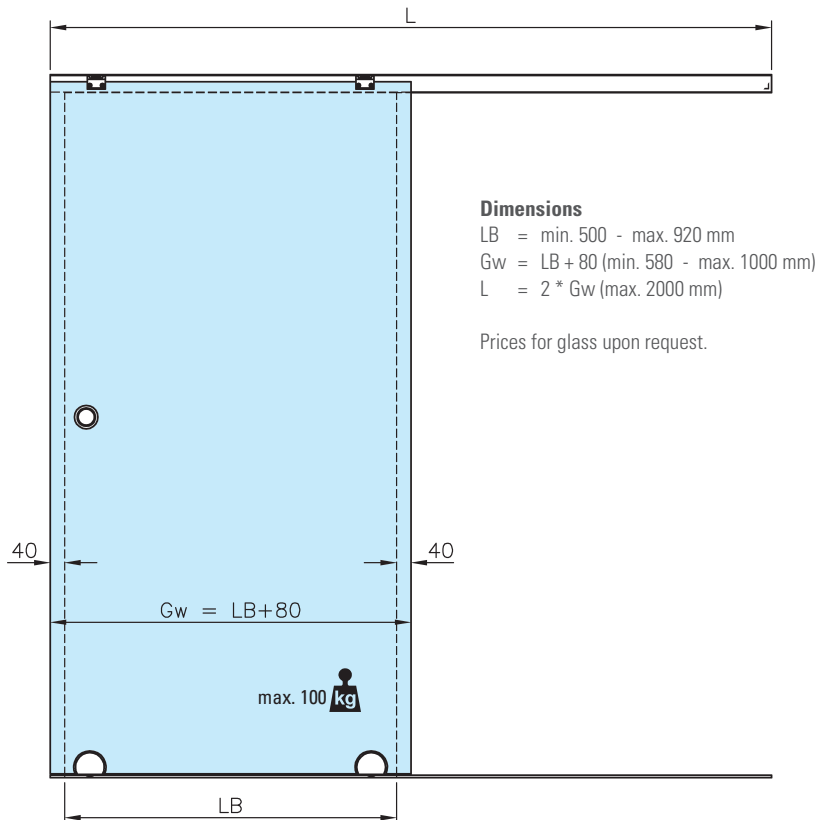
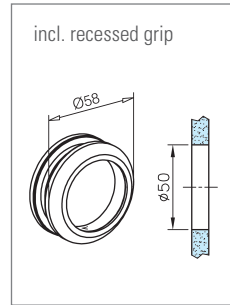
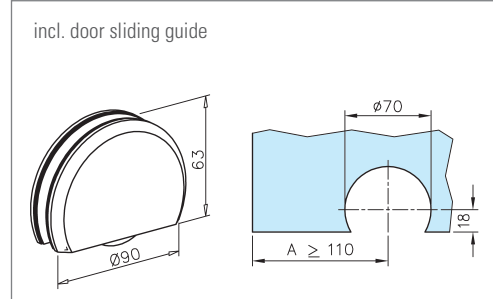


Sliding door - 320

1

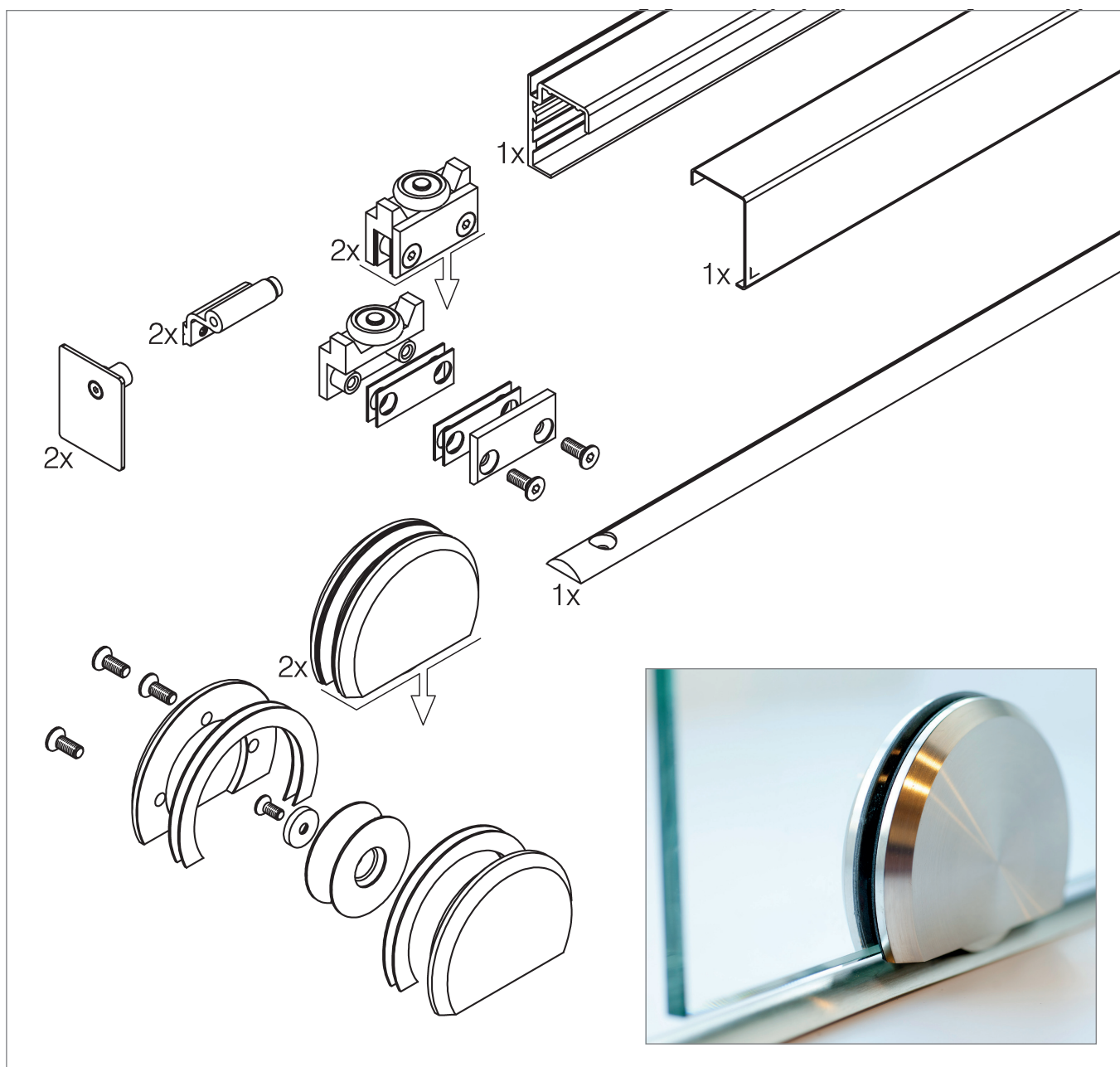
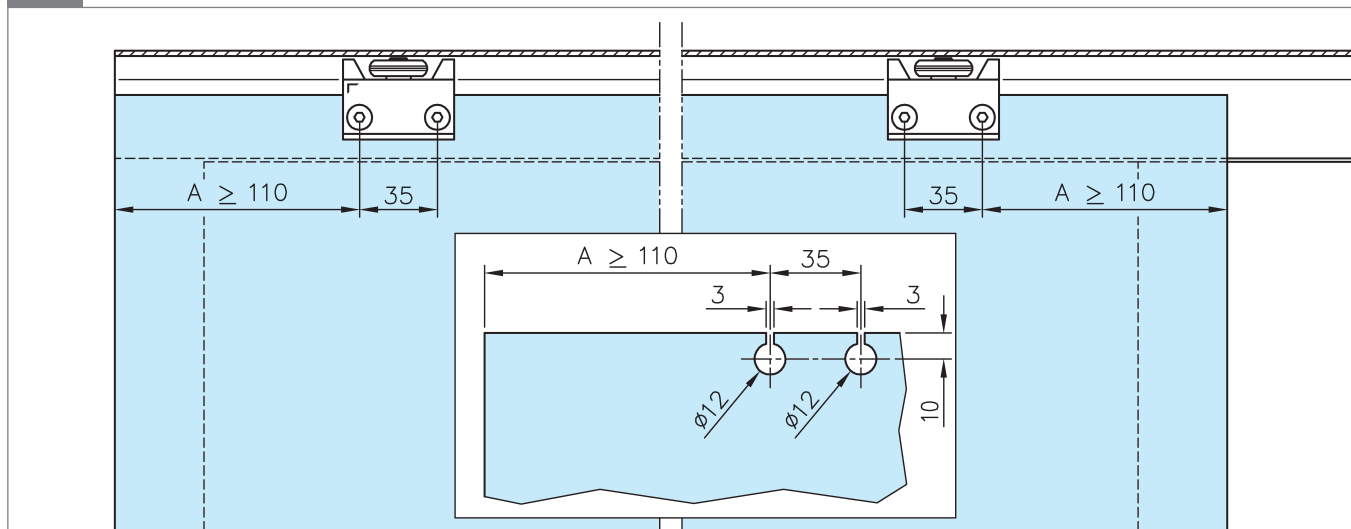


Art.no.	glass
46.0320.000.12	8 - 12 mm



INFO 46.0320.000.12

1



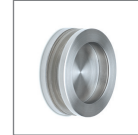
Sliding door - 100

1



Art.no.	glass	L
46.0100.000.46	8 - 12 mm	2000 mm
46.0250.000.46	8 - 12 mm	2500 mm

incl.

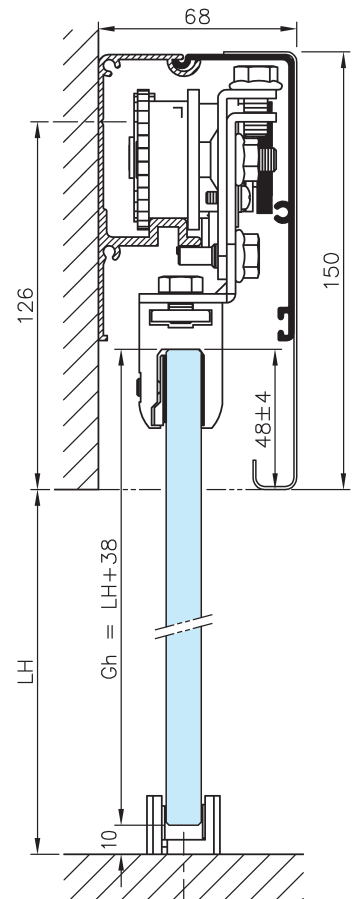
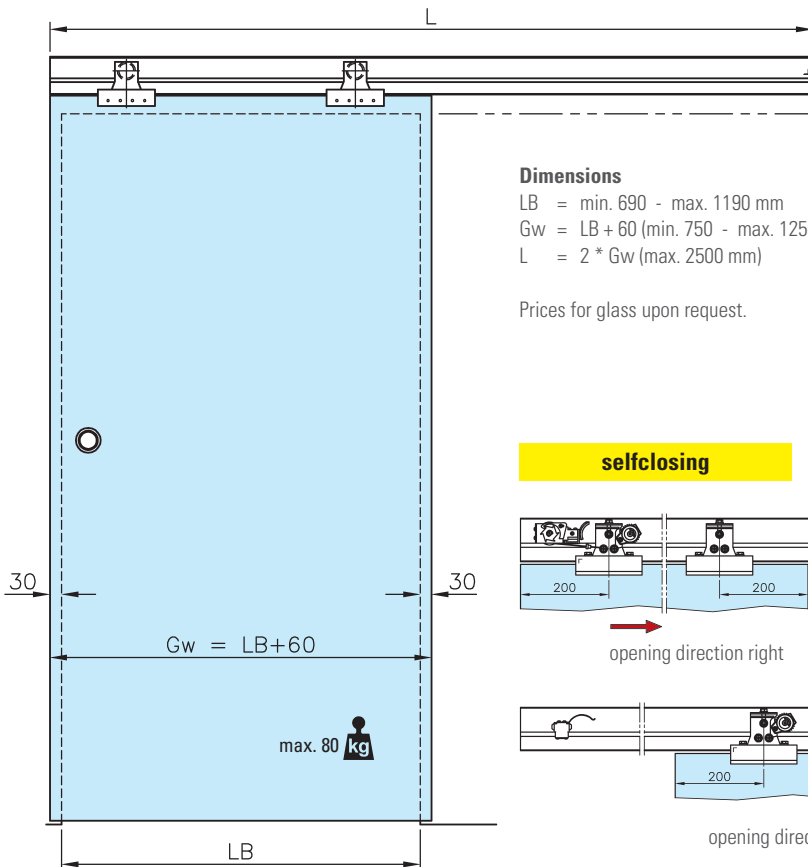


1 x
47.0103.065.12
(■ 94)

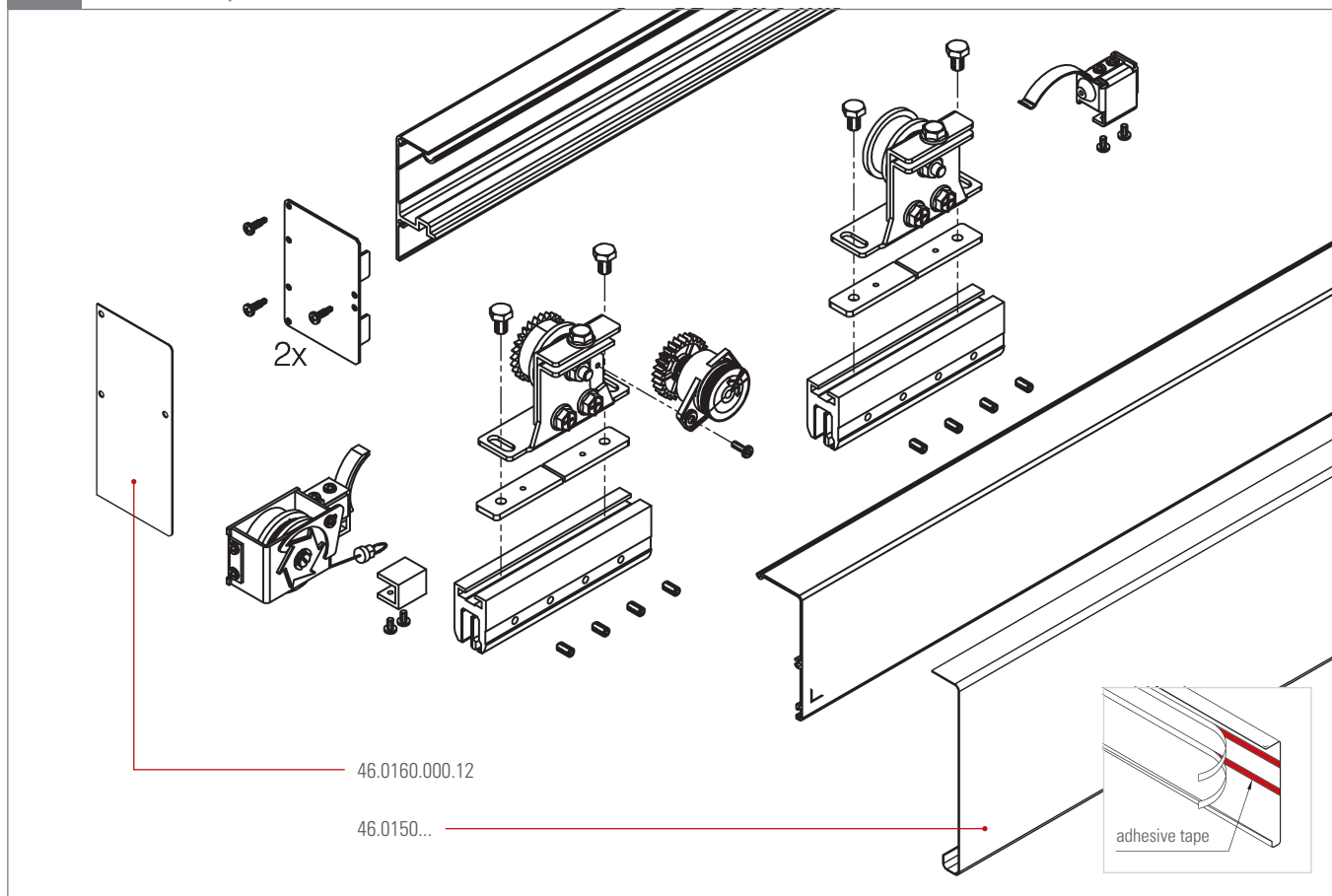


1 x
46.6108.000.12
(■ 37)

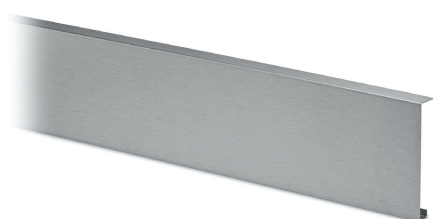
INFO Finish



INFO 46.0100.000.46 / 46.0250.000.46

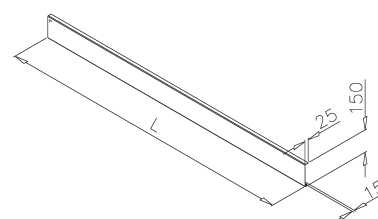


Cover profile



Stainless steel design

Art.no.	L
46.0150.200.12	2000 mm
46.0150.250.12	2500 mm

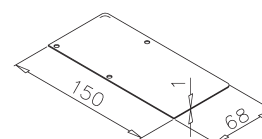


End caps (pair)



Stainless steel design

Art.no.
46.0160.000.12



Sliding door - 5030



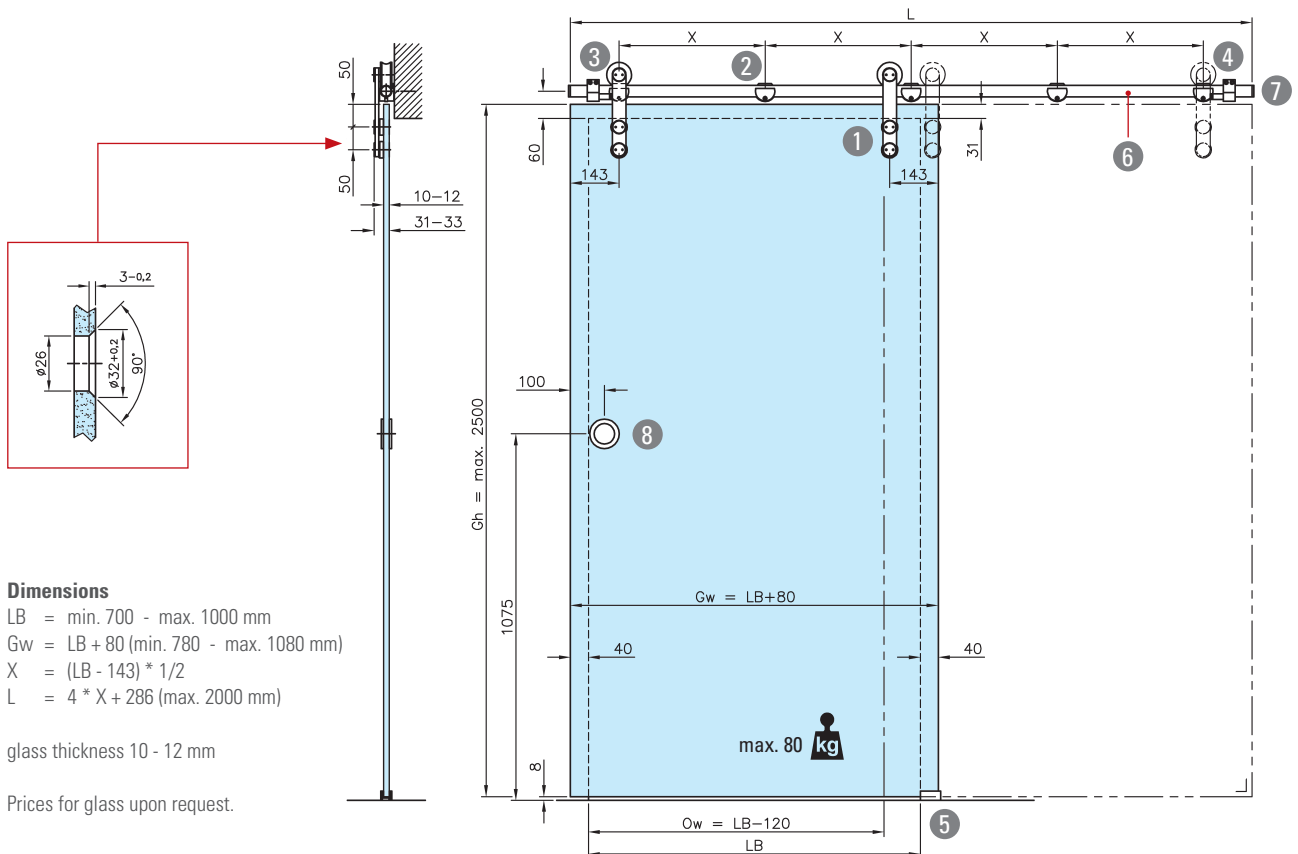
Stainless steel design

Art.no.	glass
29.5030.000.12	10 - 12 mm

INFO Products

		
2 x 46.6101.000.12 (■ 32)	1 x 46.6121.000.12 (■ 36)	2 x 11.0732.025.20 (■ 280)
		
5 x 46.6111.000.12 (■ 35)	1 x 46.6108.000.12 (■ 37)	1 x 47.0103.065.12 (■ 94)
		
1 x 46.6120.000.12 (■ 36)	2000 mm 12.8900.025.12 (■ 35)	

INFO 29.5030.000.12



Sliding door - 5031



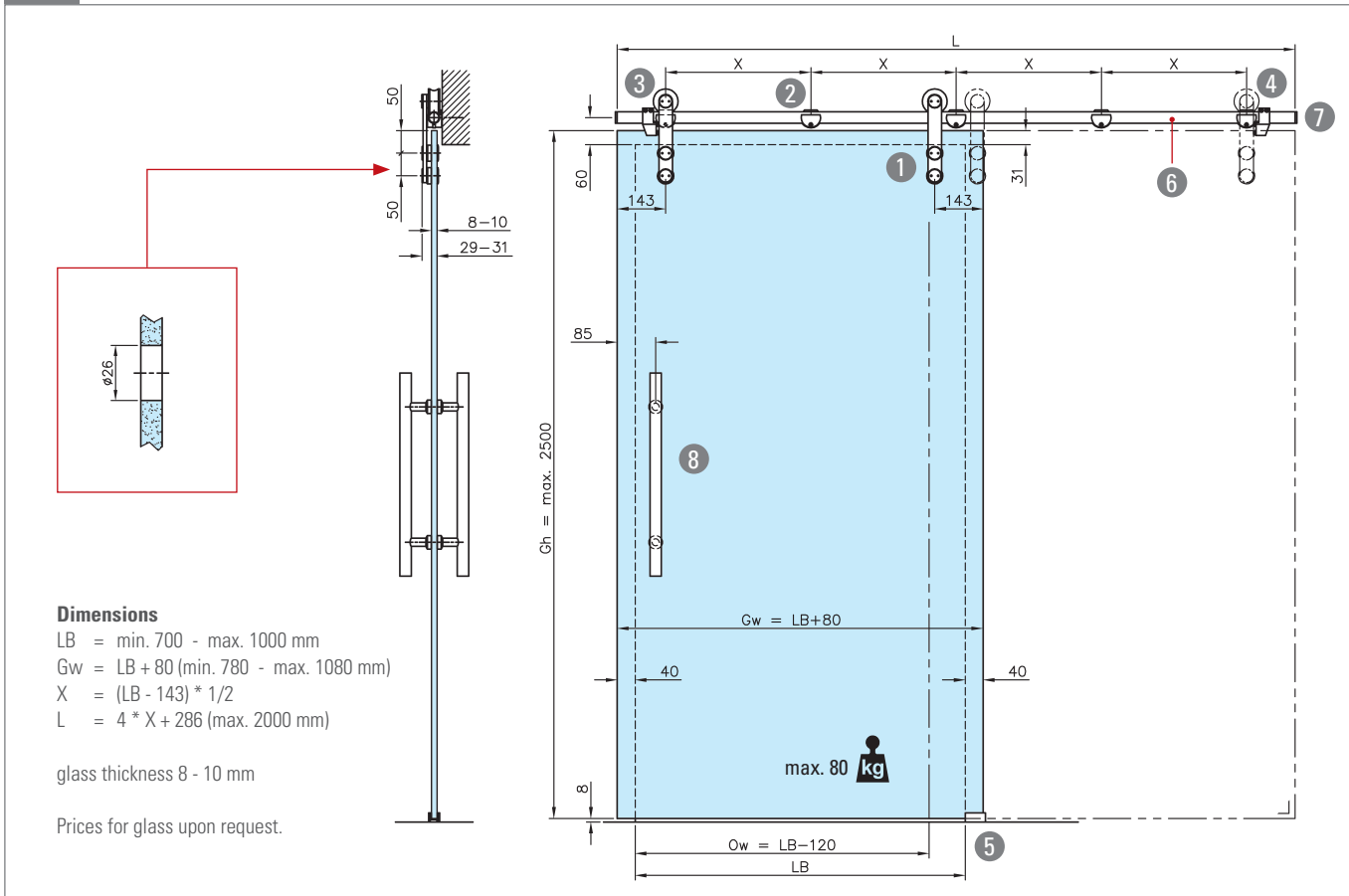
Stainless steel design

Art.no.	glass
29.5031.000.12	8 - 10 mm

INFO Products

1 	4 	7
2 x 46.6106.000.12 (■ 33)	1 x 46.6123.000.12 (■ 36)	2 x 11.0732.025.20 (■ 280)
2 	5 	8
5 x 46.6111.000.12 (■ 35)	1 x 46.6109.000.12 (■ 37)	
3 	6 	
1 x 46.6122.000.12 (■ 36)	2000 mm 12.8900.025.12 (■ 35)	1 x 47.5404.025.12 (■ 86)

INFO 29.5031.000.12



Sliding door - 5032



Stainless steel design

Art.no.	glass
29.5032.000.12	8 - 10 mm

INFO Products



2 x
46.6107.000.12
(■ 33)



5 x
46.6111.000.12
(■ 35)



2 x
46.6124.000.12
(■ 36)



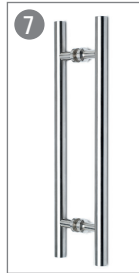
1 x
46.6109.000.12
(■ 37)



2000 mm
12.8900.025.12
(■ 35)



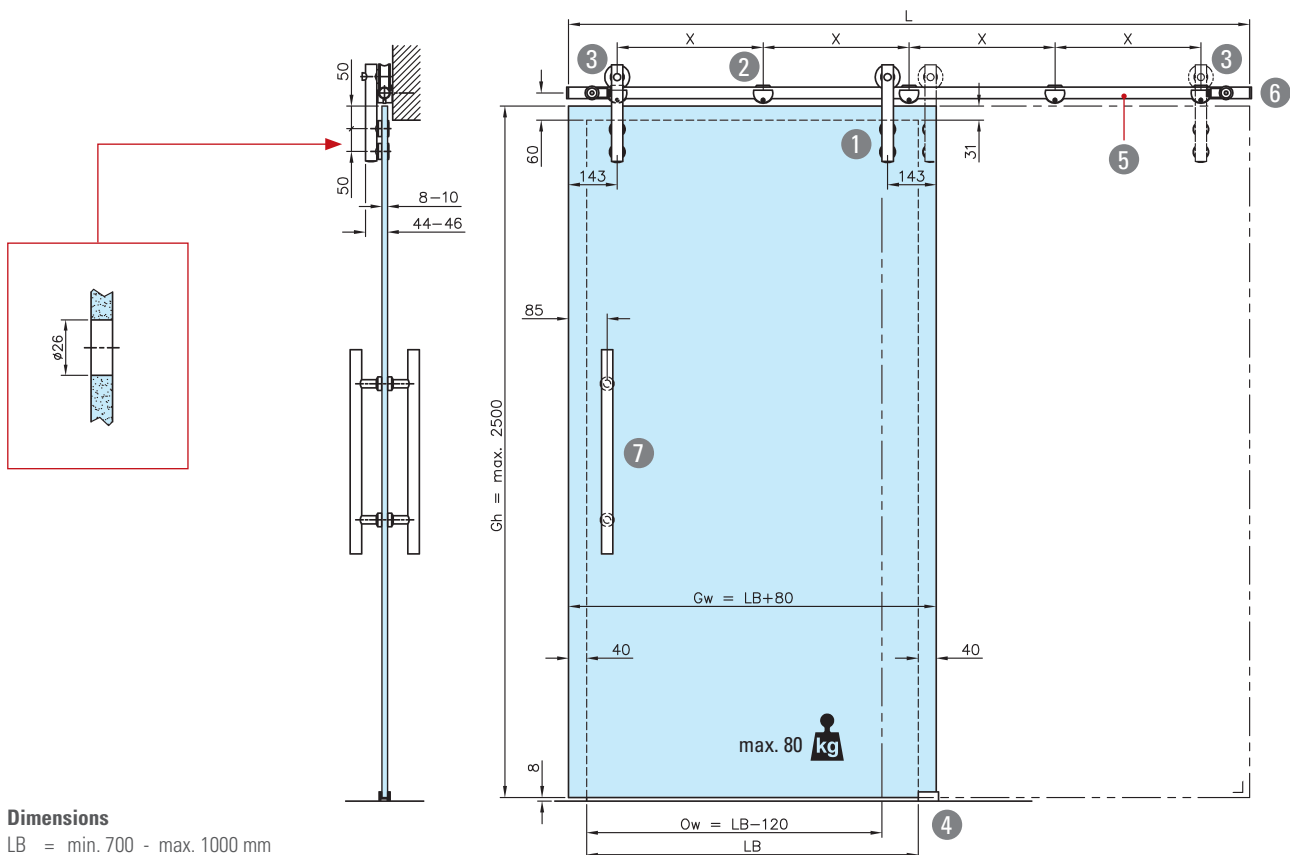
2 x
11.0732.025.20
(■ 280)



1 x
47.5404.025.12
(■ 86)

INFO 29.5032.000.12

1



Dimensions

LB = min. 700 - max. 1000 mm

Gw = LB + 80 (min. 780 - max. 1080 mm)

X = (LB - 143) * 1/2

L = 4 * X + 286 (max. 2000 mm)

glass thickness 8 - 10 mm

Prices for glass upon request.

Roller component - 6101

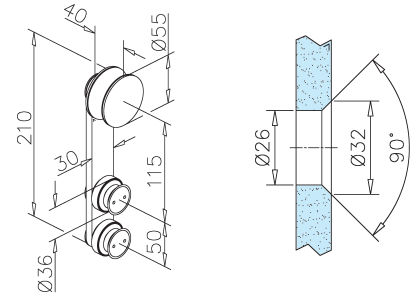


Stainless steel design

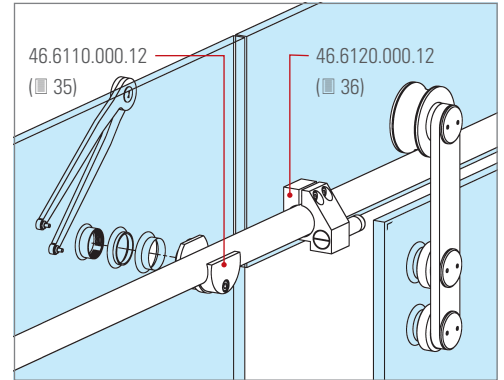
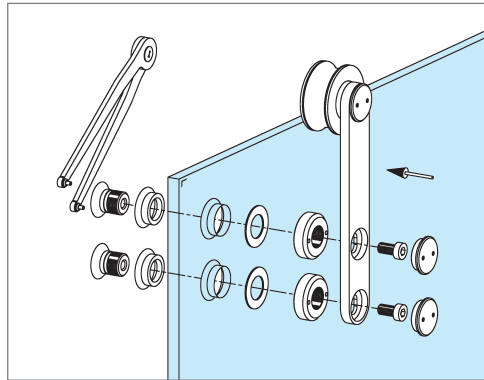
Art.no.	glass	
46.6101.000.12	10 - 12 mm	1



Pin wrench
■ 298



INFO 46.6101.000.12

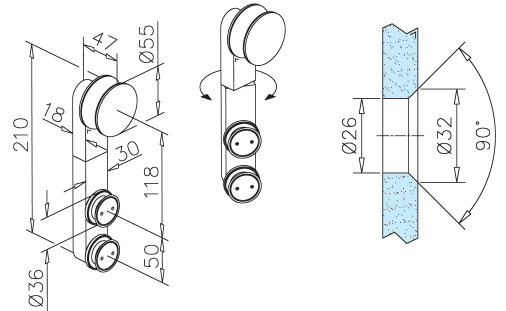


Roller component, turnable - 6102

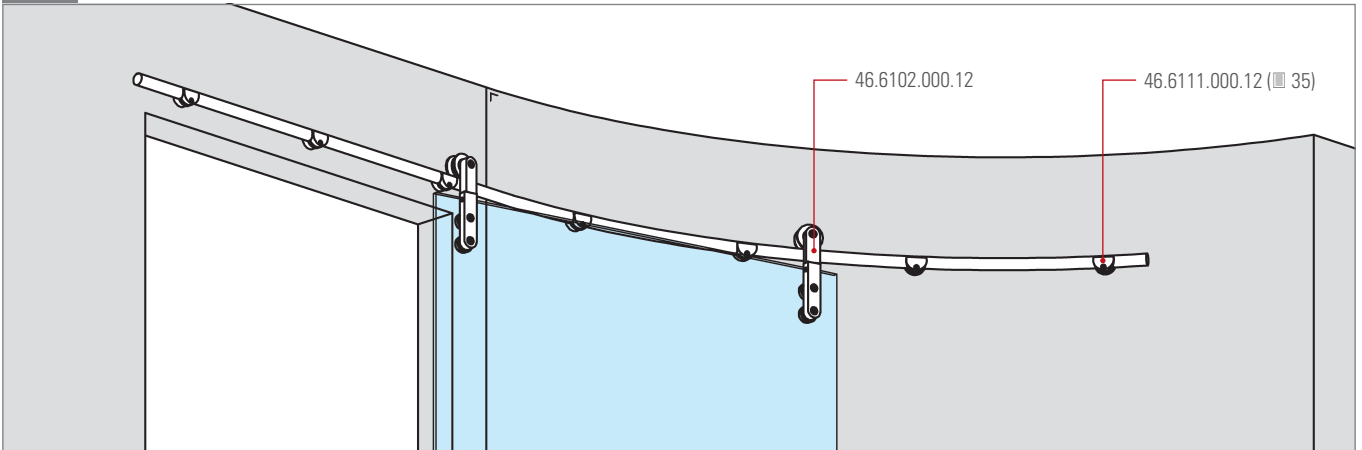


Stainless steel design

Art.no.	glass	
46.6102.000.12	10 - 12 mm	1



INFO 46.6102.000.12

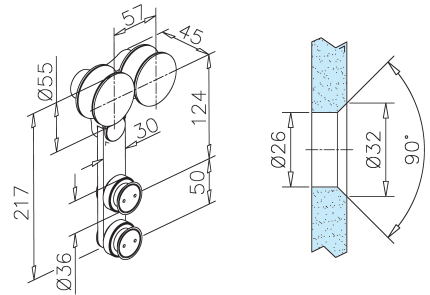


Double roller component - 6103

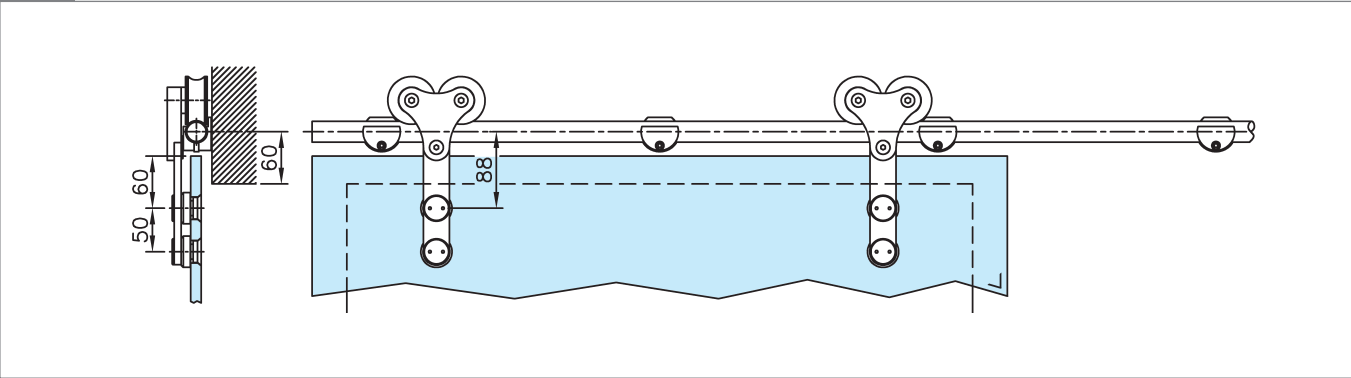


Stainless steel design

Art.no.	glass	
46.6103.000.12	10 - 12 mm	1



INFO 46.6103.000.12

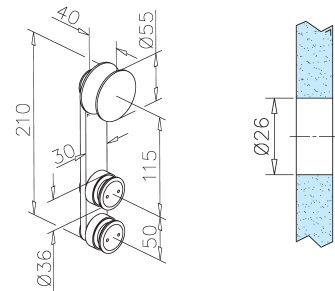


Roller component - 6106



Stainless steel design

Art.no.	glass	
46.6106.000.12	8 - 10 mm	1

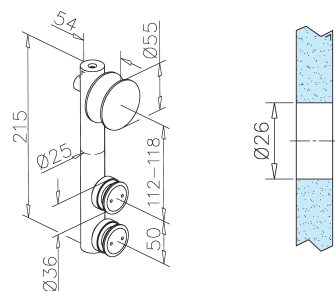


Roller component - 6107



Stainless steel design

Art.no.	glass	
46.6107.000.12	8 - 10 mm	1

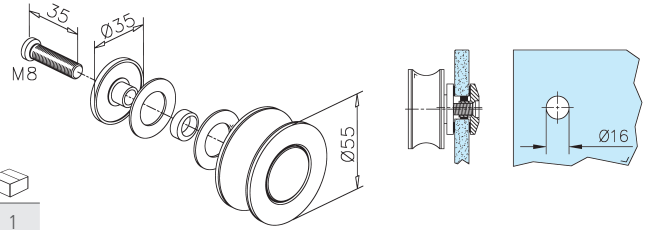


Roller - 6104



Glass fixation
Stainless steel design

Art.no.	glass	
46.6104.000.12	10 - 12 mm	1

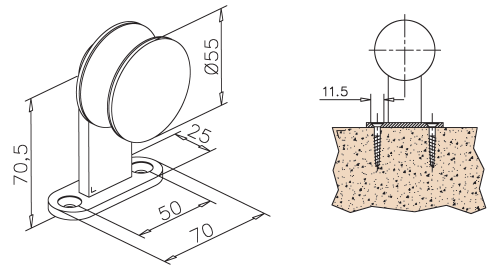


Roller - 6105

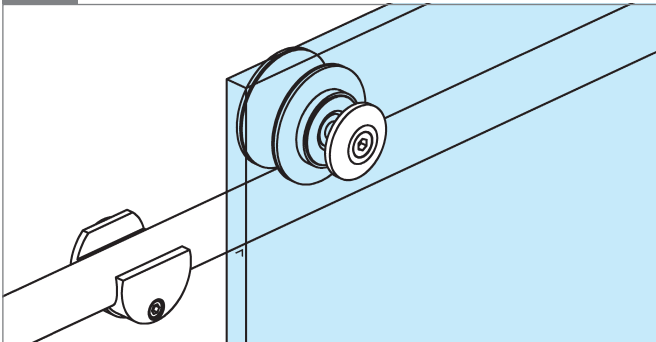


Wood fixation
Stainless steel design

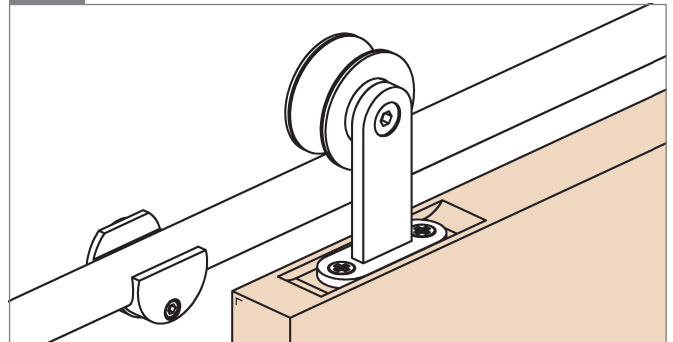
Art.no.		
46.6105.000.12		1



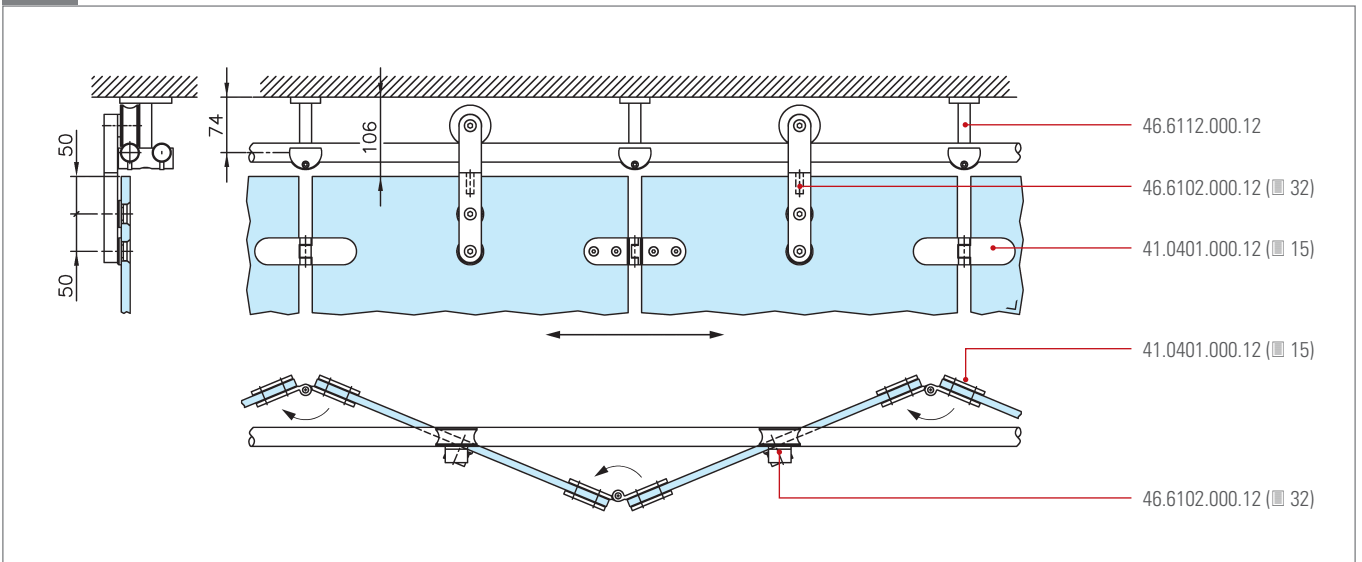
INFO 46.6104.000.12



INFO 46.6105.000.12



INFO 46.6112.000.12

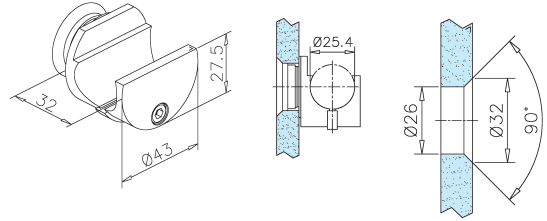


Track holder - 6110



Glass fixation
Stainless steel design

Art.no.	glass	
46.6110.000.12	10 - 12 mm	1

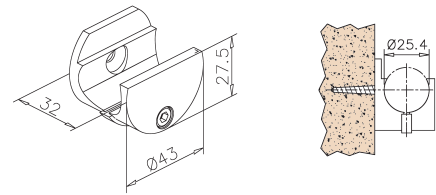


Track holder - 6111



Wall fixation
Stainless steel design


Art.no.	
46.6111.000.12	1

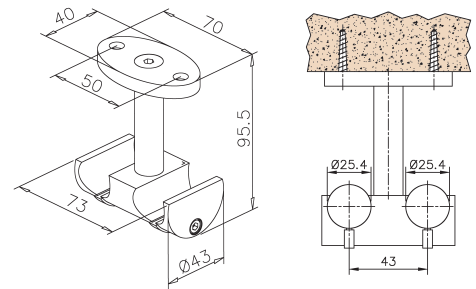


Double track holder - 6112



Ceiling fixation
Stainless steel design

Art.no.	
46.6112.000.12	1

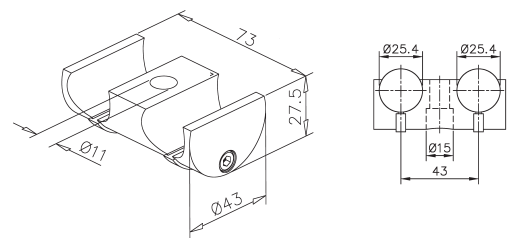


Double track holder - 6113



Ceiling fixation
Stainless steel design

Art.no.	
46.6113.000.12	2

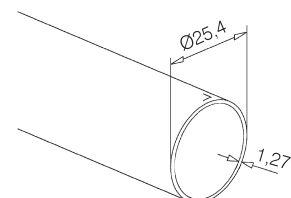


Tube - 900



Stainless steel design


Art.no.	L
12.8900.025.12	cutted

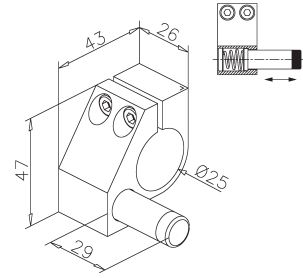


Door stopper left side - 6120



Stainless steel design


Art.no.	
46.6120.000.12	1

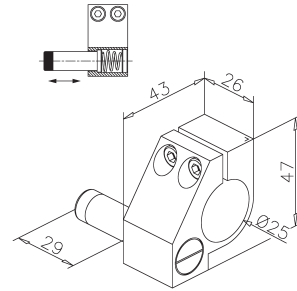


Door stopper right side - 6121



Stainless steel design


Art.no.	
46.6121.000.12	1

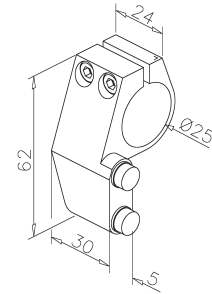


Door stopper left side - 6122

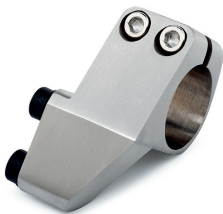


Stainless steel design

Art.no.	
46.6122.000.12	1

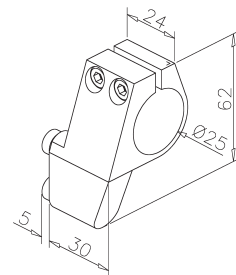


Door stopper right side - 6123



Stainless steel design


Art.no.	
46.6123.000.12	1

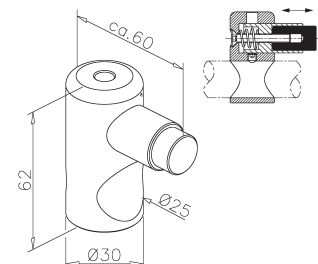


Door stopper left and right side - 6124



Stainless steel design

Art.no.	
46.6124.000.12	1

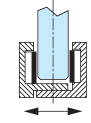
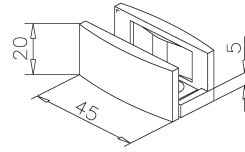


Door sliding guide - 6108



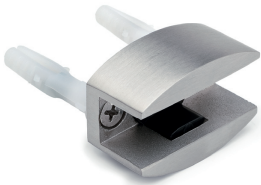
Stainless steel design

Art.no.	glass	
46.6108.000.12	10 - 12 mm	1



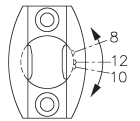
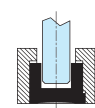
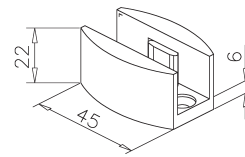
adjustable

Door sliding guide - 6109

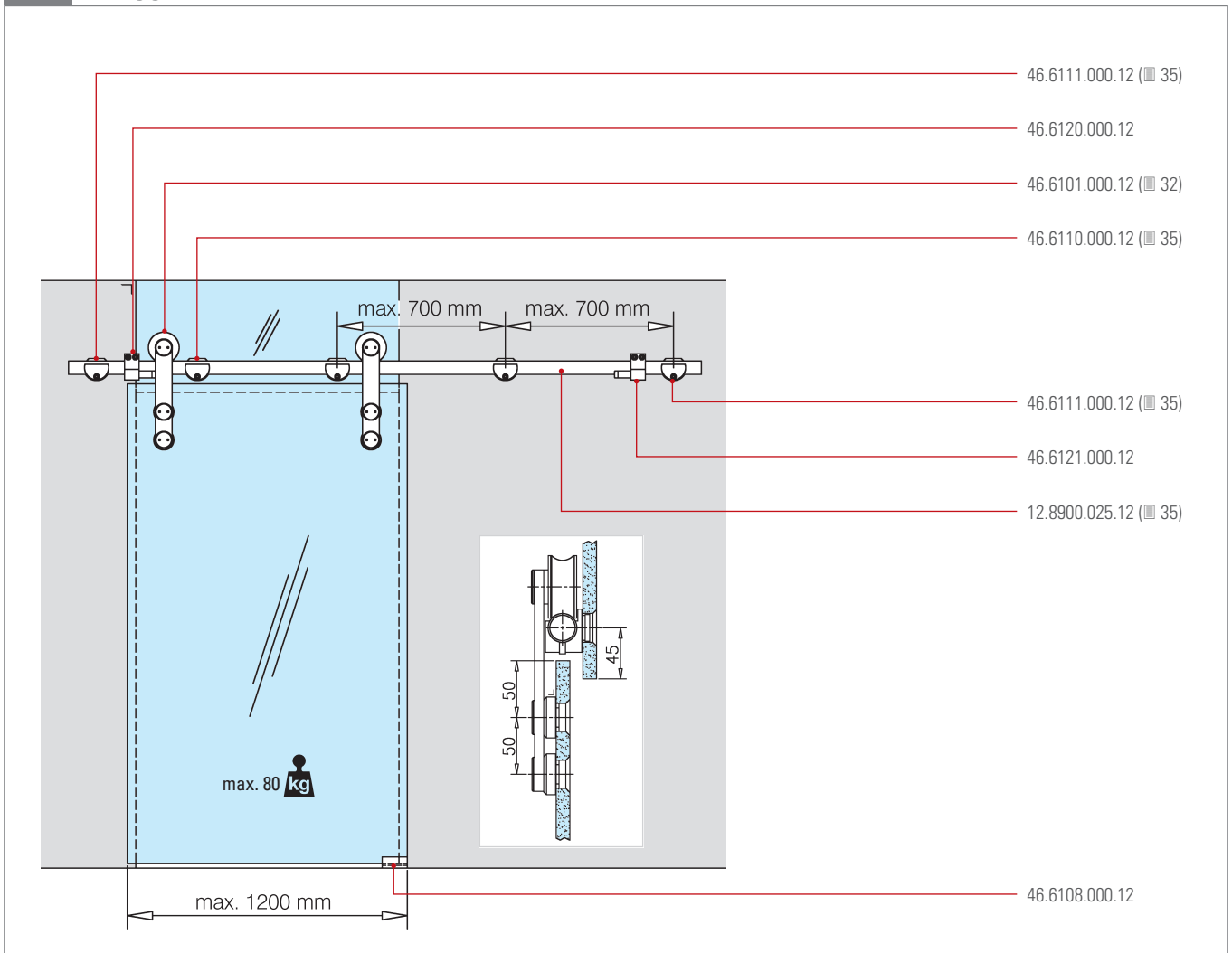


Stainless steel design

Art.no.	glass	
46.6109.000.12	8, 10, 12 mm	1



INFO Sliding glass door





1

Glass door systems

EKU / HAWA



1 Shower cubicle 56



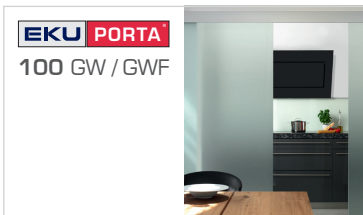
1 Shower cubicle 58



1 Sliding glass door 60



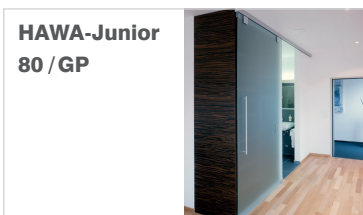
1 Sliding glass door 63



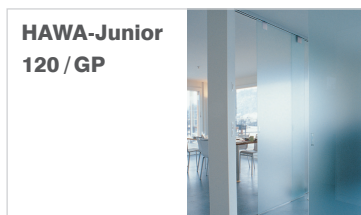
1 Synchro 66



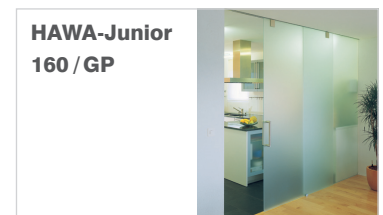
1 Soft close 68



1 Sliding glass door 70



1 Sliding glass door 74



1 Sliding glass door 78

Shower cubicle

EKU BANIO 40 GF



anodized

gloss finish

Art.no.

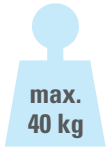
Art.no.

glass

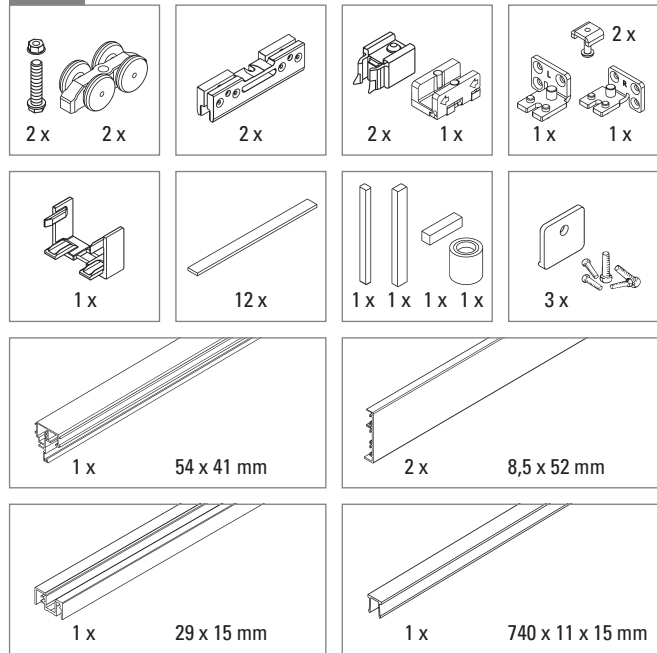
46.1300.150.46

46.1300.150.48

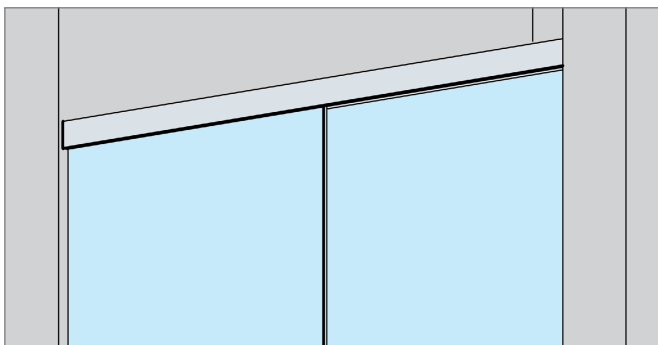
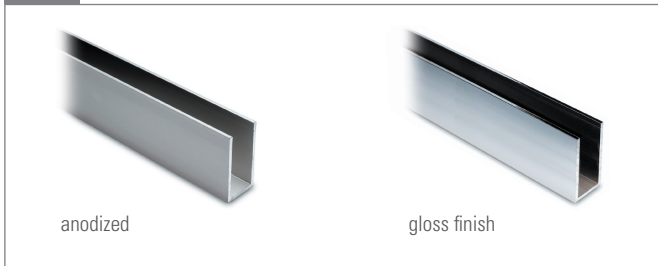
8 - 9 mm



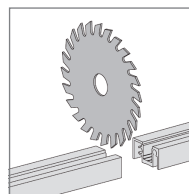
INFO Products



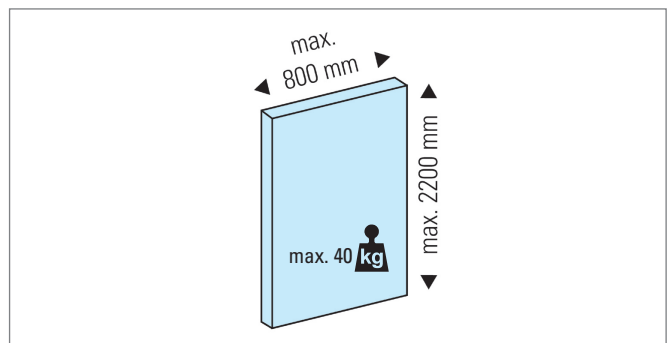
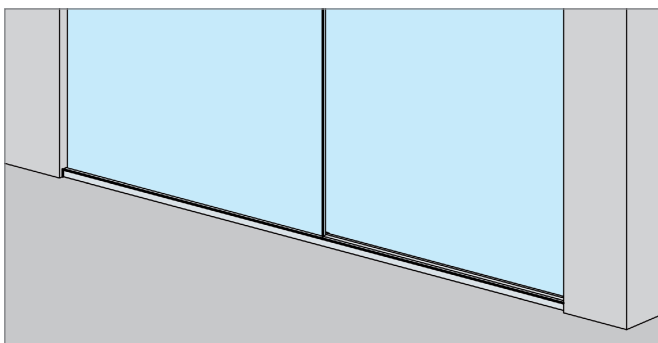
INFO Finishes



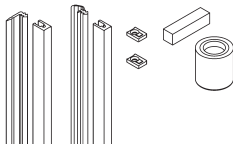
System: Recess solution 1500 mm for „installing in the opening“, for one glass door up to 40 kg.



Quick made to measure production and simple installation - no glass processing is required.



Accessories

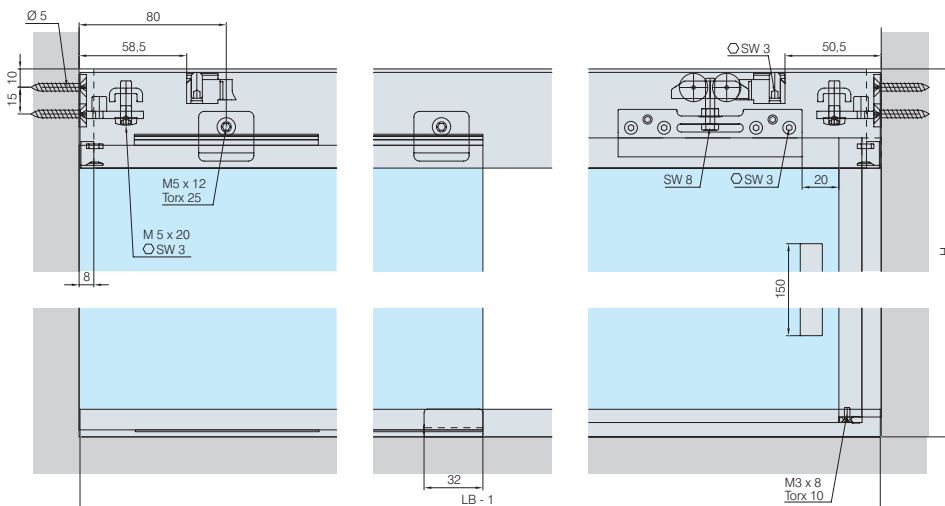
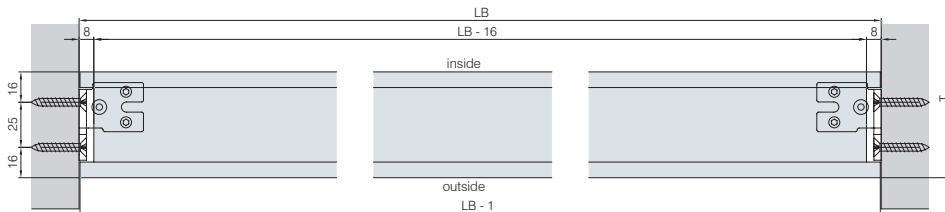
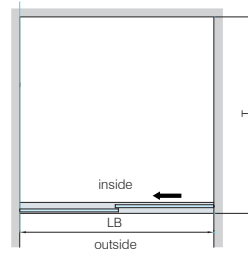
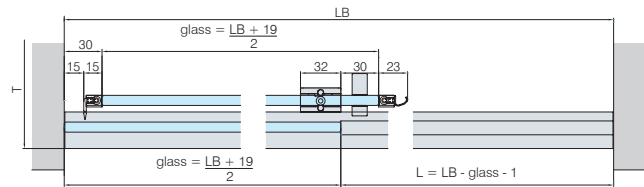
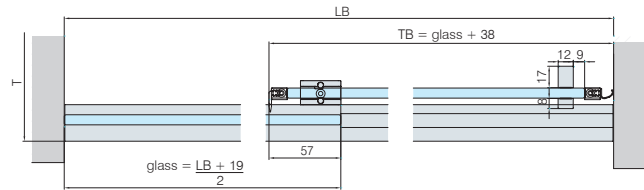
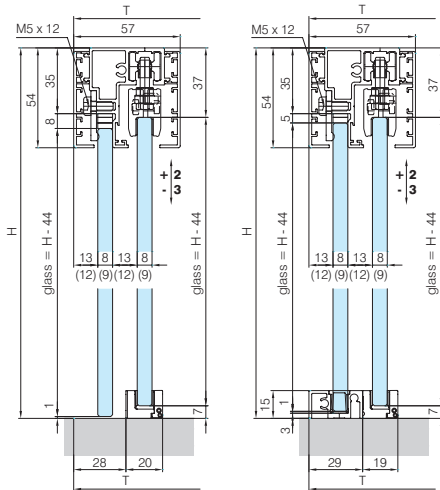


EKU-BANIO 40 GF seal set,
flush-mounted aluminium profiles, anodized, with seals

Art.no.	L
46.1310.220.46	2200 mm



INFO Mounting



Shower cubicle

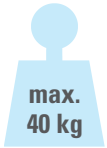
EKU BANIO® 40 GFE



anodized

gloss finish

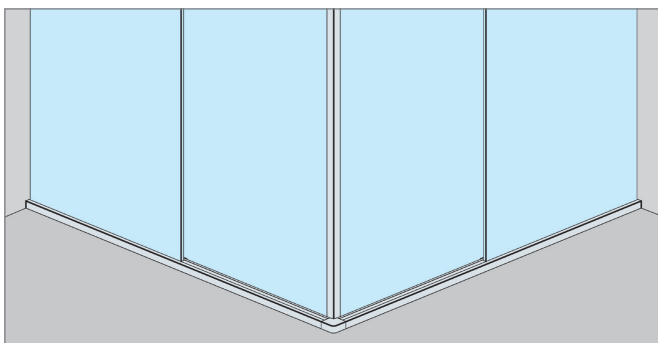
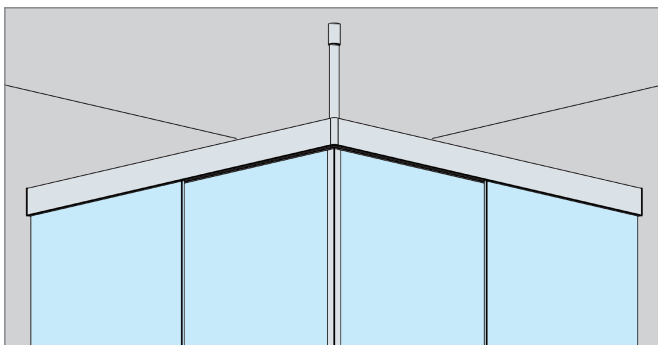
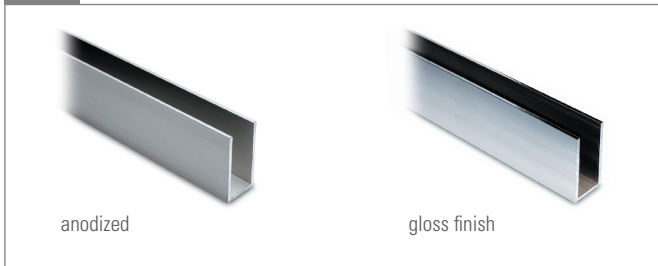
Art.no.	Art.no.	glass
46.1350.120.46	46.1350.120.48	8 - 9 mm



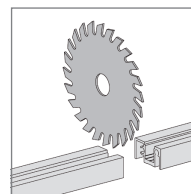
INFO Products

4 x 4 x	4 x	4 x 2 x	2 x 1 x 1 x
1 x 1 x	1 x	1 x	1 x 1 x 24 x
2 x 2 x 1 x 1 x	6 x	2 x 54 x 41 mm	
4 x 8,5 x 52 mm		2 x 29 x 15 mm	
2 x 566 x 11 x 15 mm		1 x 600 x Ø 22 mm	

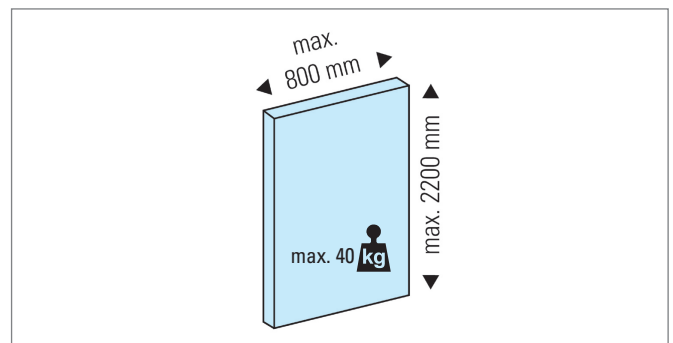
INFO Finishes



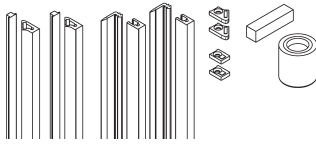
System: Corner solution 1200 mm with fixed glass, for 2 glass doors up to 40 kg.



Quick made to measure production and simple installation - no glass processing is required.



Accessories

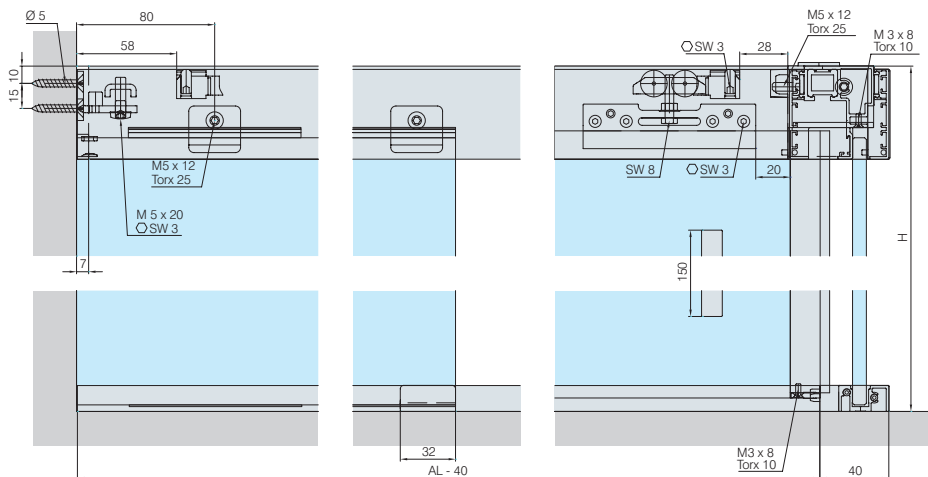
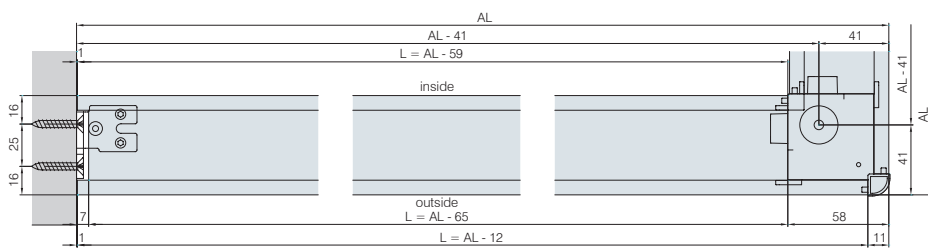
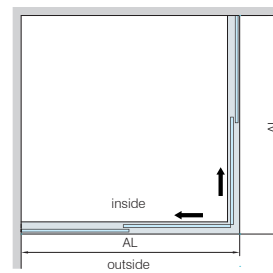
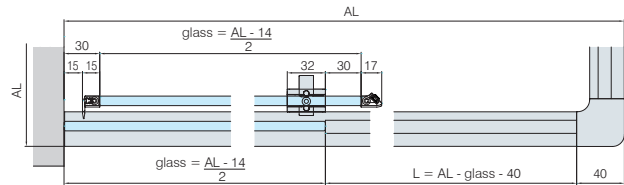
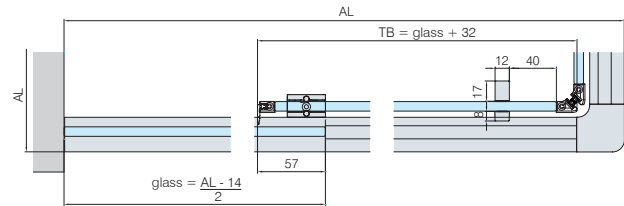
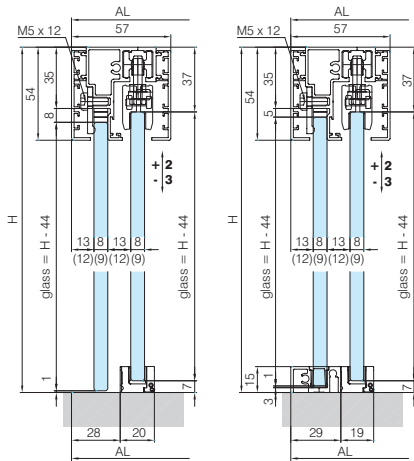


EKU-BANIO 40 GFE seal set,
flush-mounted aluminium profiles, anodized, with seals

Art.no.	L
46.1360.220.46	2200 mm



INFO Mounting



Sliding glass door

EKU PORTA 100 GW

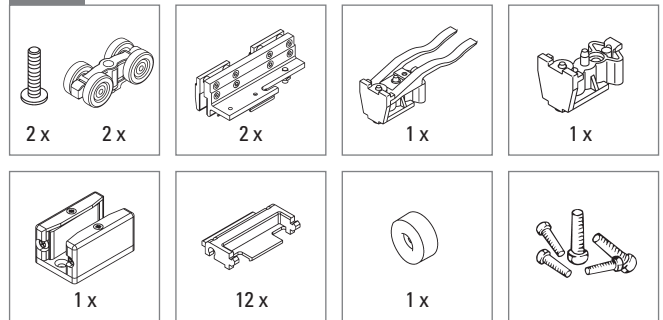


anodized

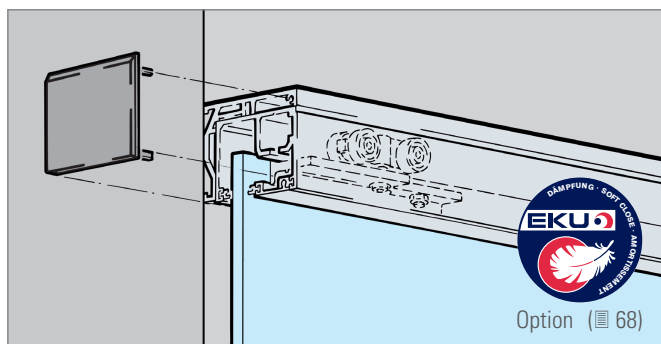
Art.no. glass
46.1100.000.46 8 - 12,7 mm



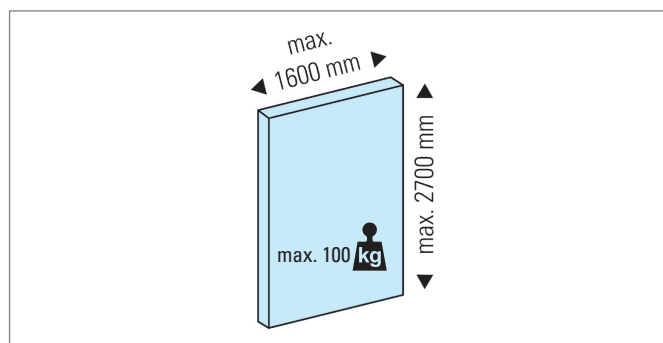
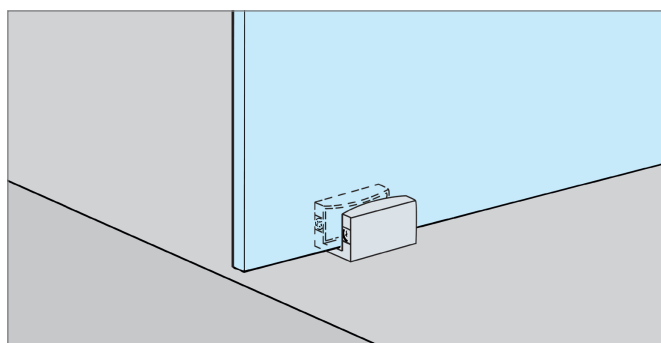
INFO Products



INFO Finish

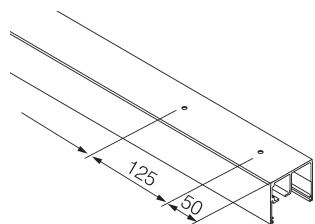


System: Running track, installation height 58 mm, surface mounted or flush with the ceiling, for 1 glass door up to 100 kg.



Accessories

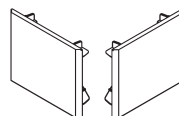
EKU PORTA 100 GW



69 x 58 mm

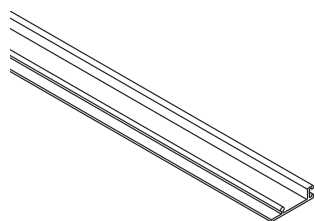
Running track,
aluminium anodized, pre-drilled

Art.no.	L
46.1110.500.46	5000 mm
46.1110.250.46	2500 mm
46.1110.999.46	cutted



End cap set for 46.1110...,
plastic anthracite

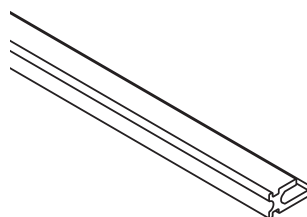
Art.no.
46.1180.000.46



30 x 8 mm

Panel profile,
aluminium anodized

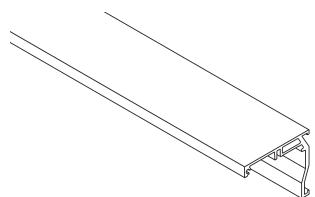
Art.no.	L
46.1140.500.46	5000 mm
46.1140.250.46	2500 mm
46.1140.999.46	cutted



10 x 5 mm

Screening seal,
black plastic, in rolls

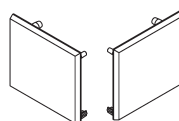
Art.no.	L
46.1170.020.00	20 m



78 x 67,5 mm

Wall mounting angle profile,
aluminium anodized, pre-drilled

Art.no.	L
46.1130.250.46	2500 mm
46.1130.999.46	cutted



End cap set for 46.1130...,
plastic anthracite

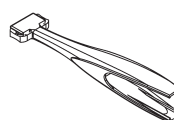
Art.no.
46.1185.000.46

incl.  for L ≤ 2500 mm



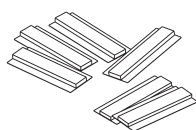
Screw set (12 pcs.)
for 46.1130... (L > 2500 mm)

Art.no.
46.1190.000.00



Track cleaner,
plastic

Art.no.
46.1210.000.00



Self-adhesive
sliders (6 pcs.)

Art.no.
46.1230.000.00

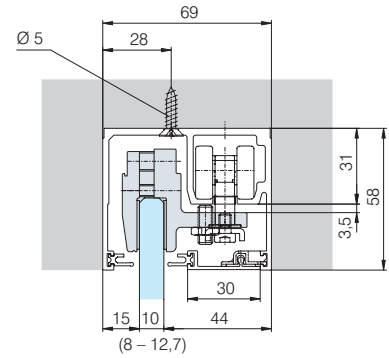
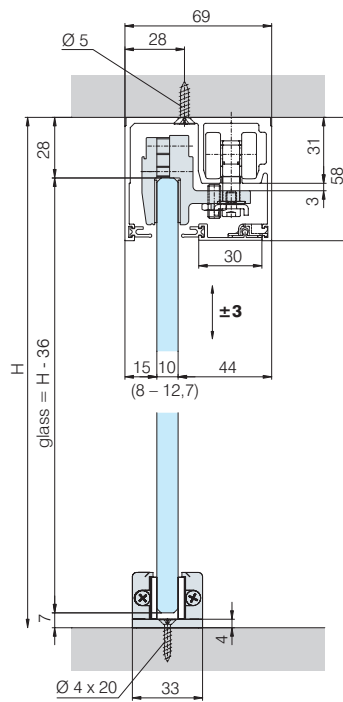
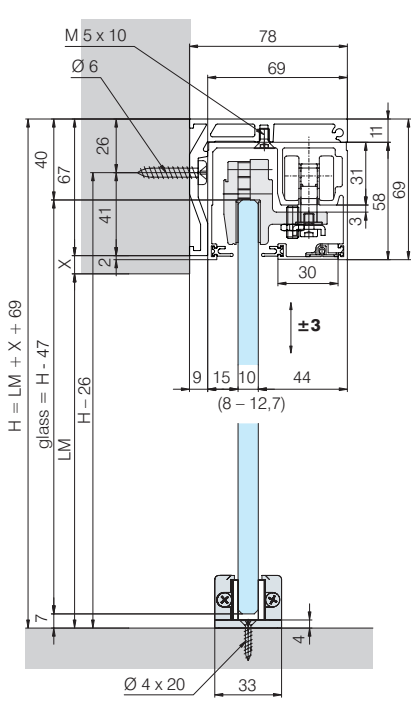
for glass 8 mm

Sliding glass door

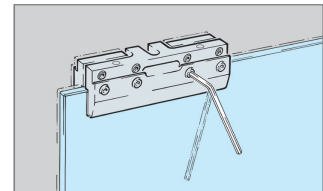
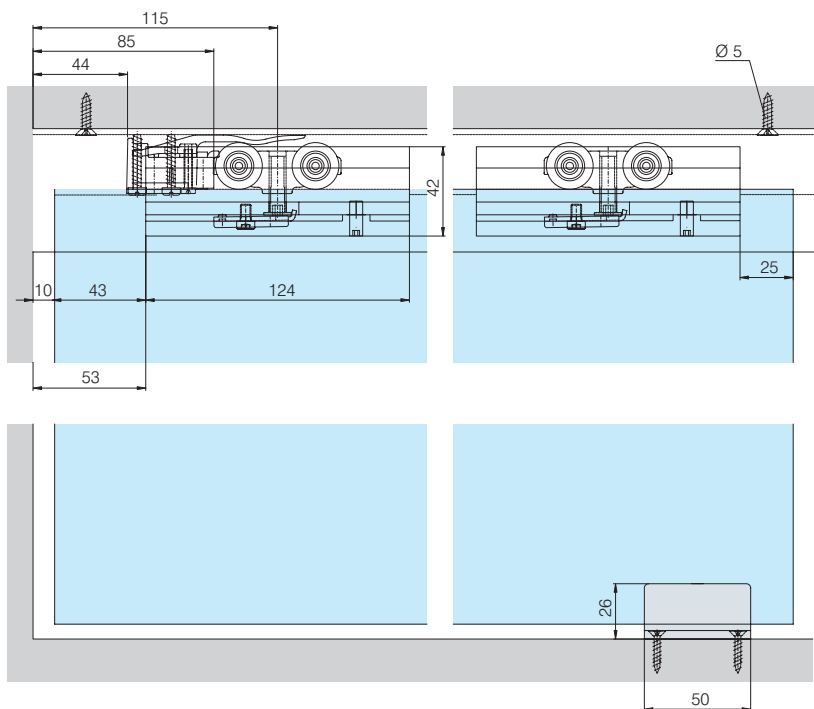
EKU PORTA 100 GW

1

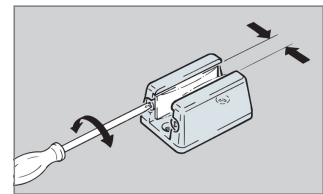
INFO Mounting



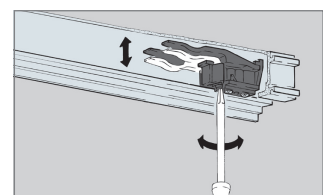
Mounting example
flush with the ceiling



Clamping without machining of
the glass (6 - 12,7 mm glass)



Playfree bottom guide
(6 - 12,7 mm glass)



Variably adjustable
retention spring

Sliding glass door

EKU PORTA 100 GWF

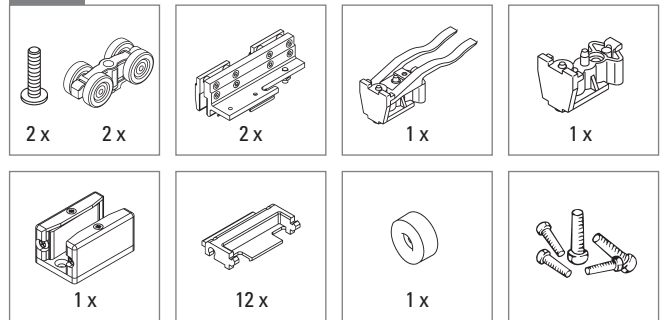


anodized

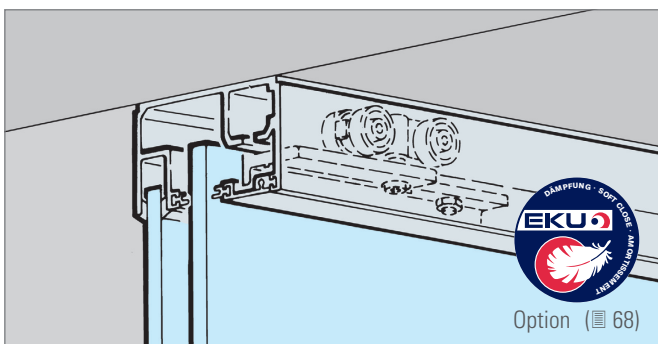
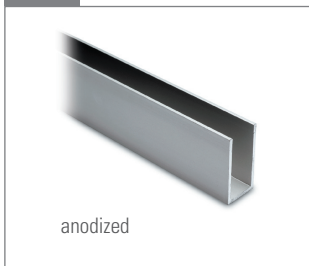
Art.no.	glass
46.1100.000.46	8 - 12,7 mm

max.
100 kg

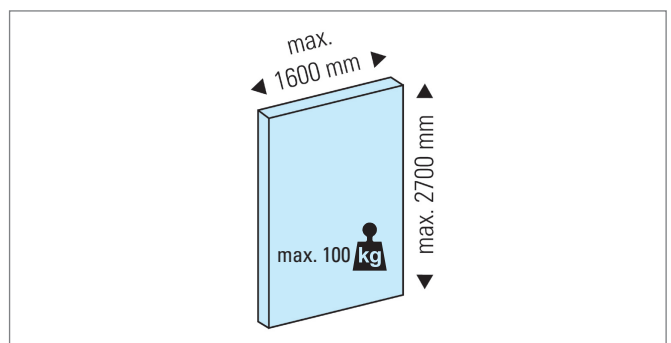
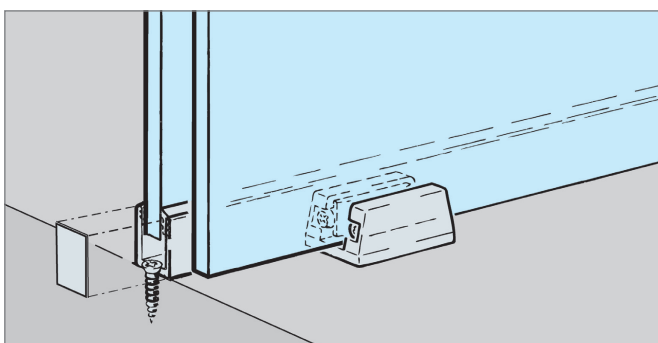
INFO Products



INFO Finish

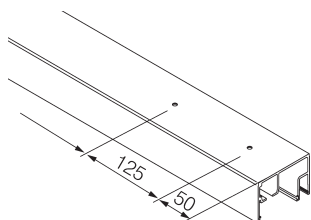


System: Running track with fixed glass support profile, installation height 58 mm, surface mounted or flush with the ceiling, for 1 glass door up to 100 kg.



Accessories

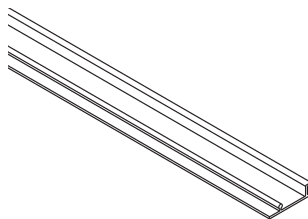
EKU PORTA 100 GWF



86 x 58 mm

Running track fixed glass,
aluminium anodized, pre-drilled

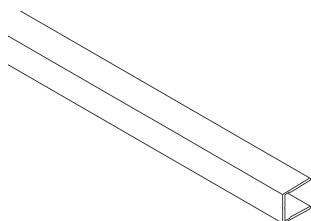
Art.no.	L
46.1120.500.46	5000 mm
46.1120.250.46	2500 mm
46.1120.999.46	cutted



30 x 8 mm

Panel profile,
aluminium anodized

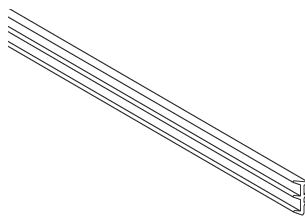
Art.no.	L
46.1140.500.46	5000 mm
46.1140.250.46	2500 mm
46.1140.999.46	cutted



15 x 15 mm

Front edge profile for 46.1120...,
aluminium anodized

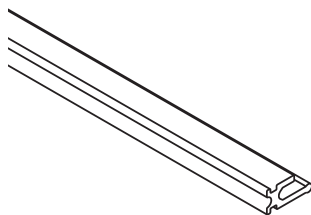
Art.no.	L
46.1150.500.46	5000 mm
46.1150.250.46	2500 mm
46.1150.999.46	cutted



Sealing profile,
black plastic, in rolls

Art.no.	L
46.1160.020.00	20 m

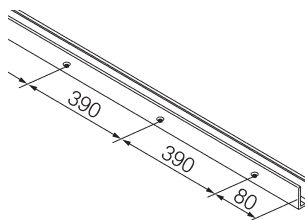
for glass 8 - 10 mm



10 x 5 mm

Screening seal,
black plastic, in rolls

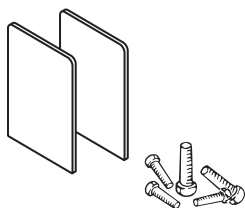
Art.no.	L
46.1170.020.00	20 m



30 x 20 mm

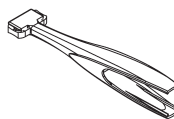
U-shaped guide track,
aluminium anodized, pre-drilled

Art.no.	L
46.1151.500.46	5000 mm
46.1151.250.46	2500 mm
46.1151.999.46	cutted



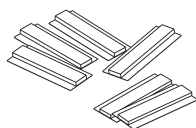
Assembly set
for 46.1151...

Art.no.
46.1152.000.00



Track cleaner,
plastic

Art.no.
46.1210.000.00



Self-adhesive
sliders (6 pcs.)

Art.no.
46.1230.000.00

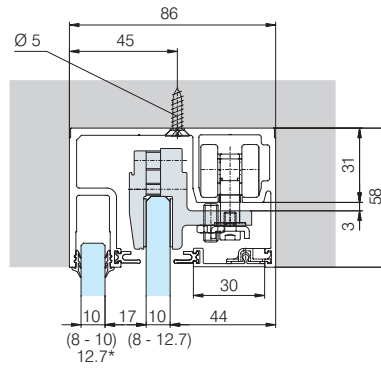
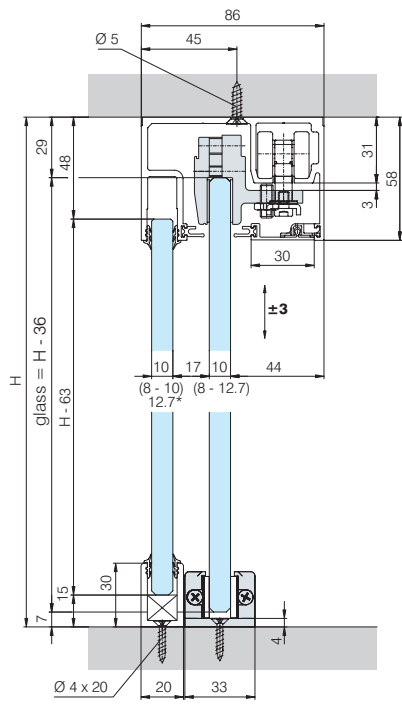
for glass 8 mm

Sliding glass door

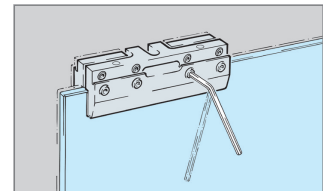
EKU PORTA 100 GWF

1

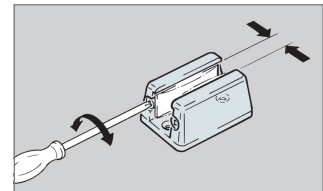
INFO Mounting



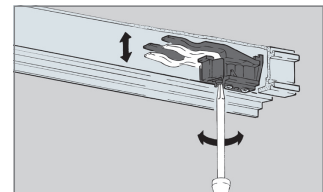
Mounting example
flush with the ceiling



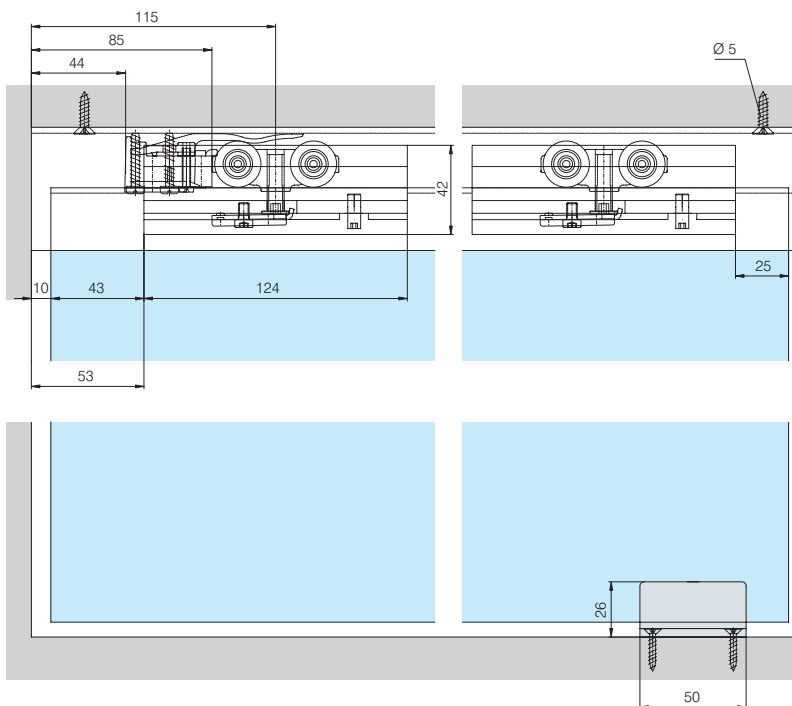
Clamping without machining of
the glass (6 - 12,7 mm glass)



Playfree bottom guide
(6 - 12,7 mm glass)



Variably adjustable
retention spring



*** 12.7 mm glass:
wet caulking with silicone**

Sliding glass door

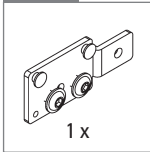
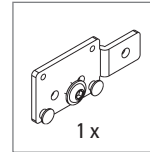
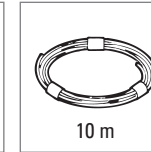
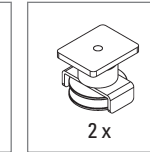
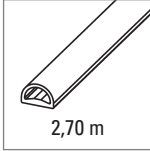
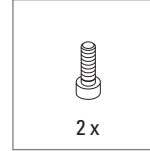
EKU PORTA 100 GW / GWF - Synchro

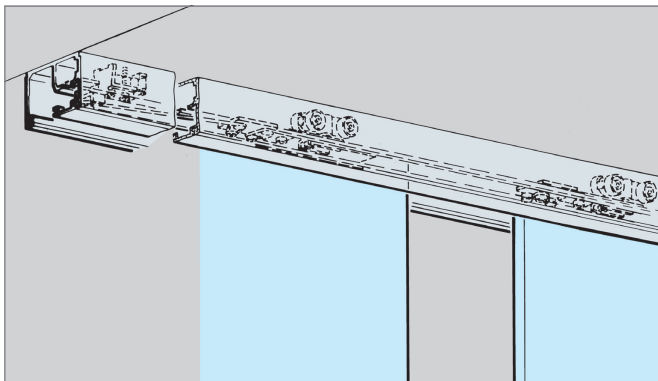
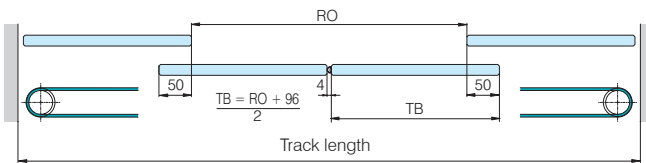
max.
100 kg



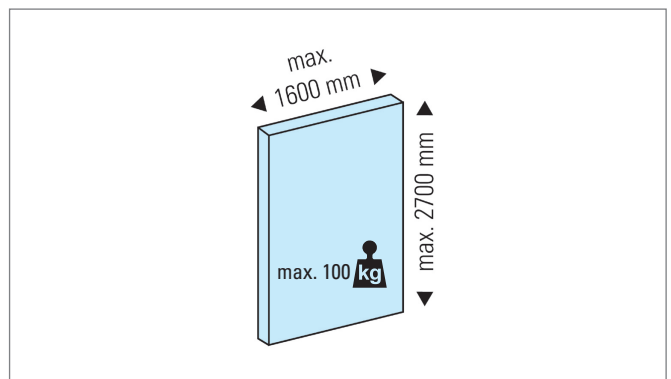
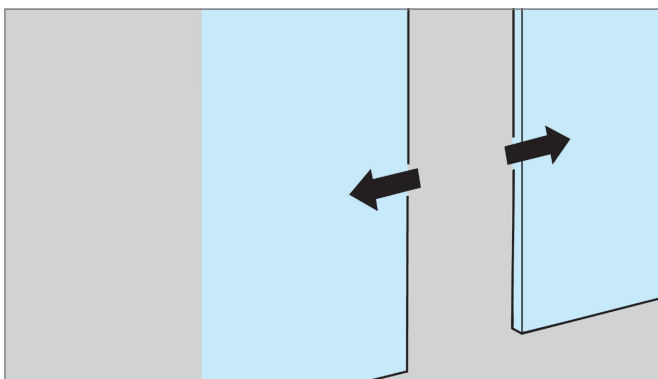
Art.no.	glass
46.1200.000.00	8 - 12,7 mm

INFO Products

 1 x	 1 x	 10 m	 2 x
 2,70 m	 2 x	Please order 2 sets 46.1100.000.46	



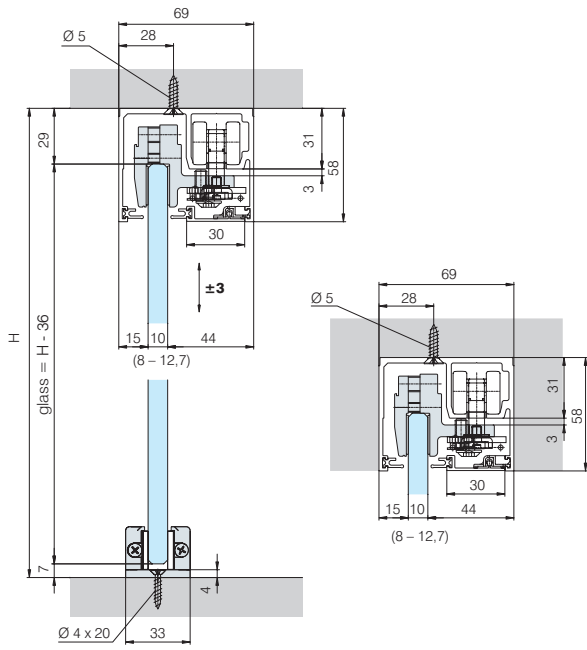
System: Synchro for 2 synchronized running glass doors with kevlar rope for 100 GW / GWF



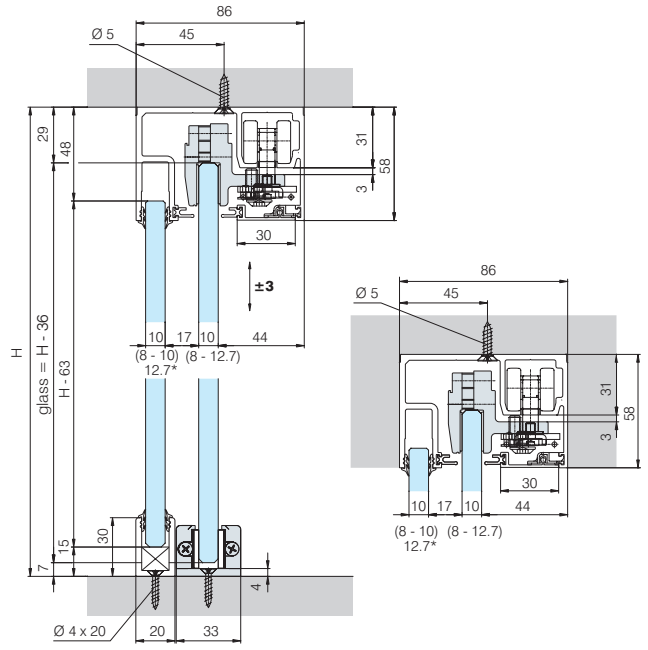
INFO Mounting

1

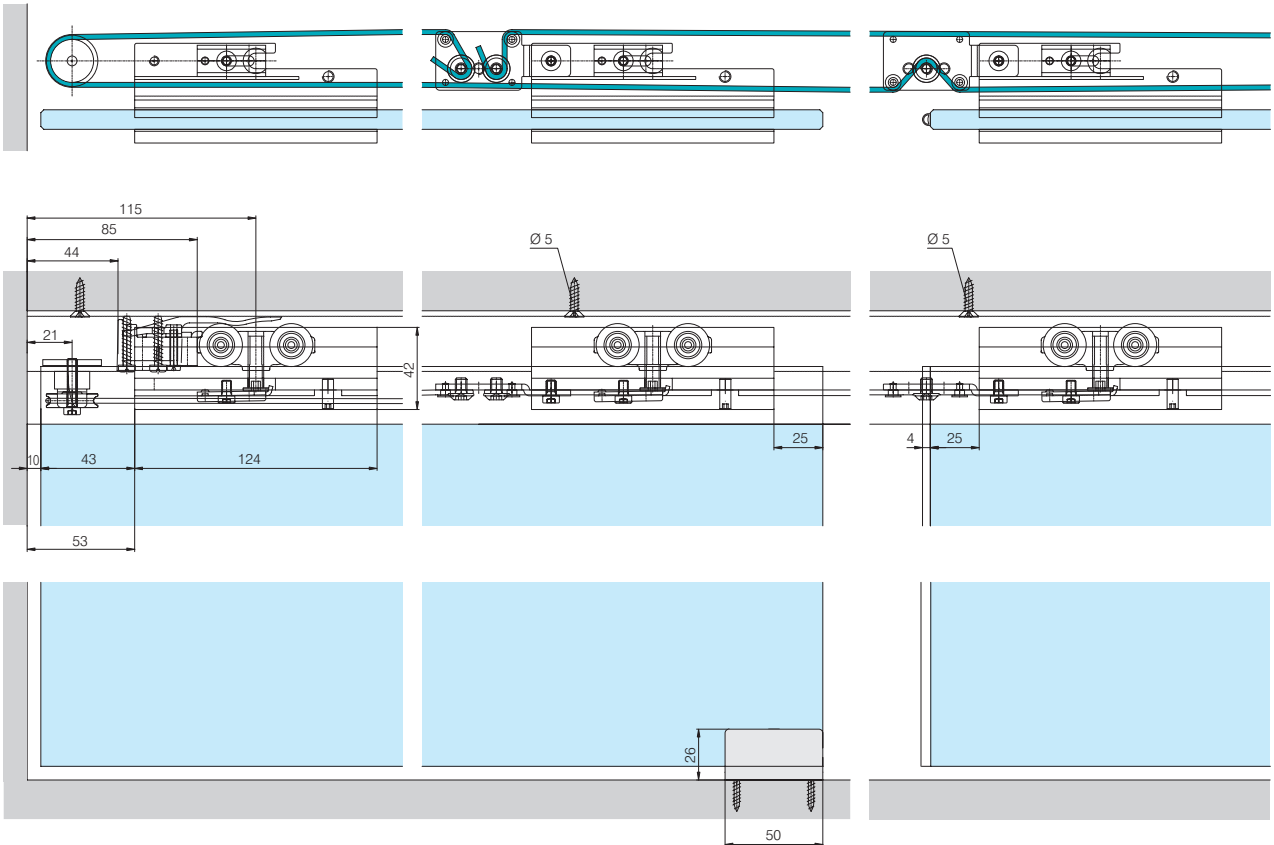
100 GW



100 GWF



* 12.7 mm glass:
wet caulking with silicone



Soft close

EKU PORTA 100 GW / GWF

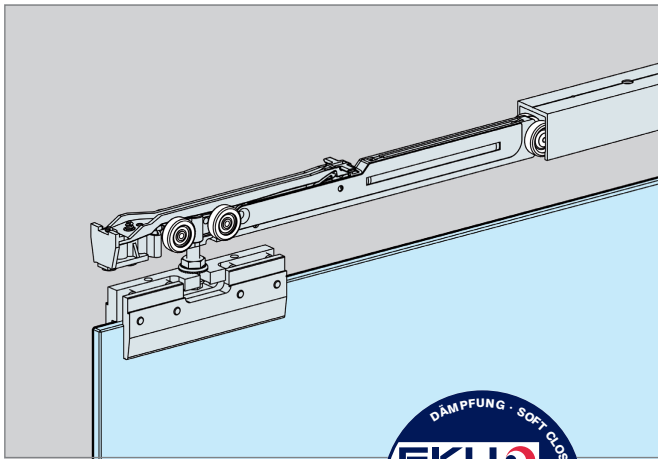
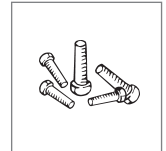
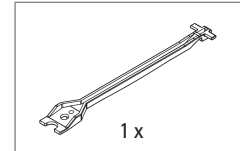
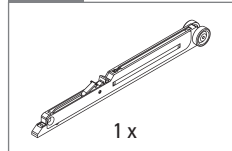
max.
100 kg

Art.no.

46.1220.000.00



INFO Products



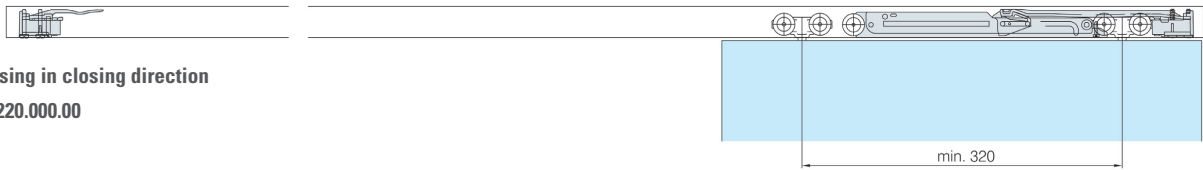
System: Soft and self closing system for quiet and gentle sliding comfort with top-running glass doors for EKU-PORTA 100 GW / GWF glass systems.

Design: Soft and self closing system integrated in the running track.

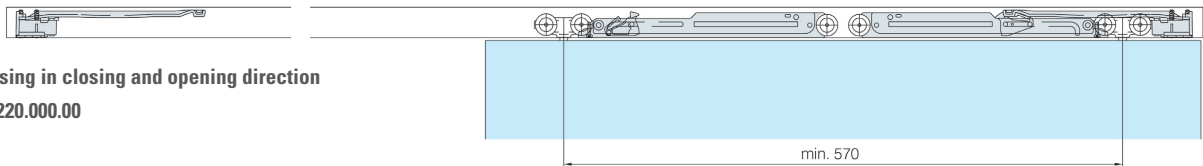
INFO Mounting

1

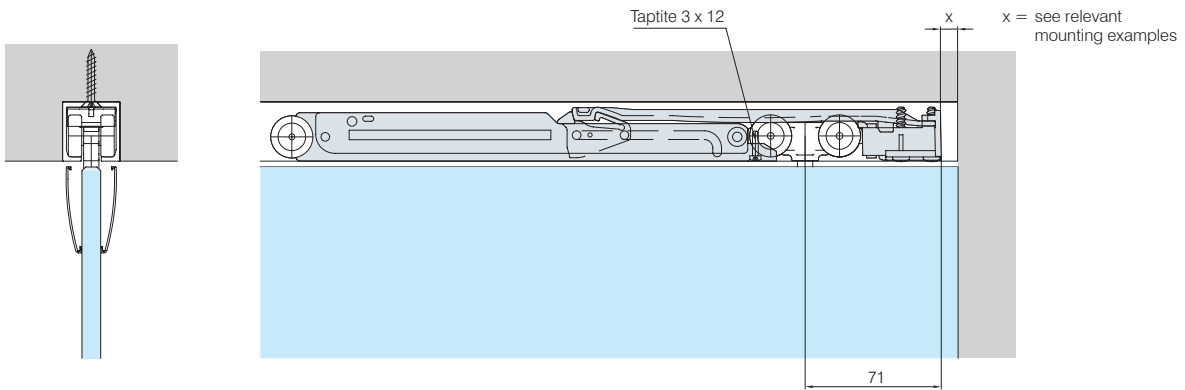
Soft closing in closing direction
1 x 46.1220.000.00



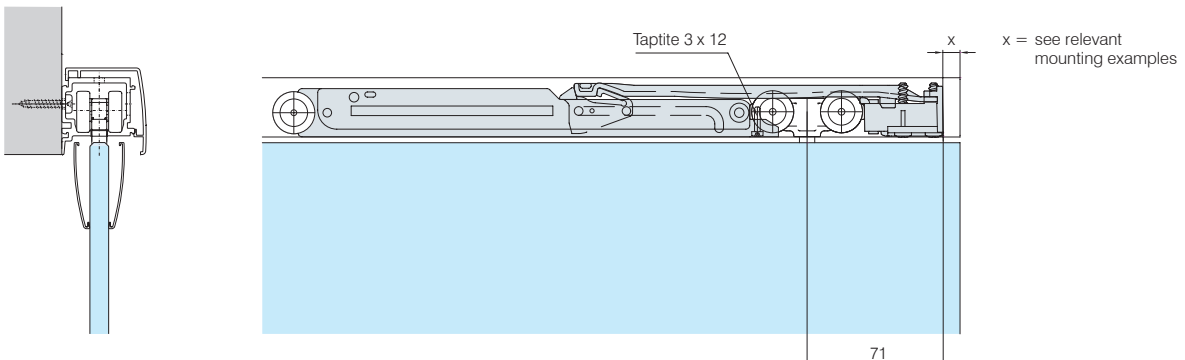
Soft closing in closing and opening direction
2 x 46.1220.000.00



Running track, for installing flush with the ceiling, with assembly opening and cover cap - allows the soft and self closing system to be retrofitted through the assembly opening.



Running track, for wall mounting without assembly opening - soft and self closing system should be installed at the side.



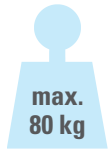
Sliding glass door



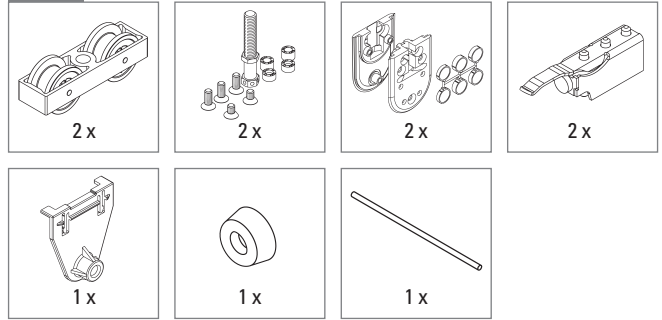
1



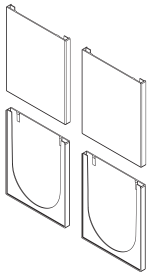
Art.no.	glass
46.1400.000.00	8 - 12,7 mm



INFO Products



Accessories



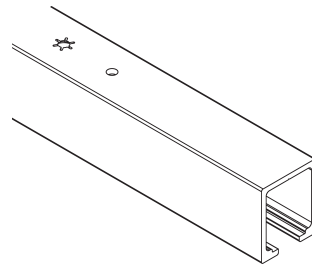
Cover cap set, square

matt chrome

Art.no.	
46.1410.000.16	

stainless steel effect

Art.no.	
46.1410.000.19	



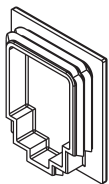
Running track, pre-drilled

plain anodized

Art.no.	L
46.1420.500.46	5000 mm
46.1420.250.46	2500 mm
46.1420.999.46	cutted

stainless steel effect

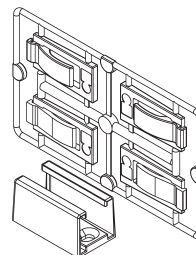
Art.no.	L
46.1420.500.19	5000 mm
46.1420.250.19	2500 mm
46.1420.999.19	cutted



End cap for 46.1420...

anthracite grey

Art.no.	
46.1430.000.36	



Door sliding guide

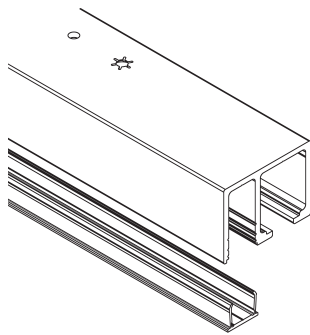
matt chrome

Art.no.	
46.1440.000.16	

stainless steel effect

Art.no.	
46.1440.000.19	

Accessories



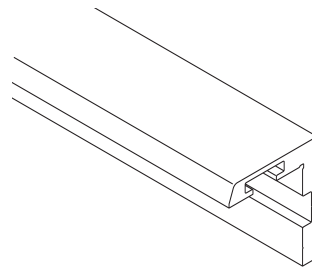
Running track set fixed glass,
pre-drilled

plain anodized

Art.no.	L
46.1450.500.46	5000 mm
46.1450.250.46	2500 mm
46.1450.999.46	cutted

stainless steel effect

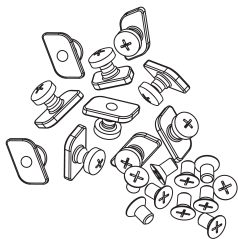
Art.no.	L
46.1450.500.19	5000 mm
46.1450.250.19	2500 mm
46.1450.999.19	cutted



Wall mounting angle profile

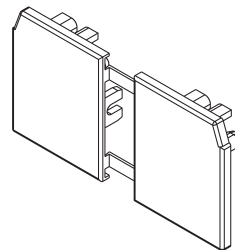
plain anodized

Art.no.	L
46.1460.500.46	5000 mm
46.1460.250.46	2500 mm
46.1460.999.46	cutted



Assembly set (10 pcs.)
for 46.1460...

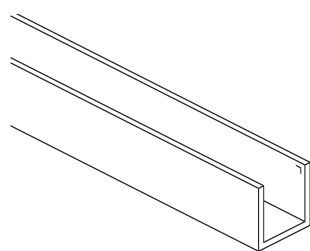
Art.no.
46.1470.000.00



End caps (pair) for 46.1460...

anthracite grey

Art.no.
46.1480.000.36



20 x 20 x 20 mm

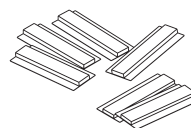
U-channel profile, aluminium

matt anodized

Art.no.	L
49.0900.202.46	5000 mm
49.8925.202.46	2500 mm
49.8900.202.46	cutted

stainless steel effect

Art.no.	L
49.0900.202.19	5000 mm
49.8925.202.19	2500 mm
49.8900.202.19	cutted

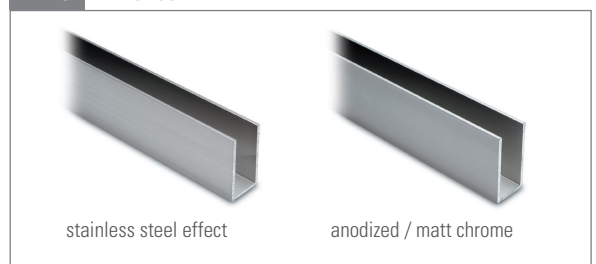


Self-adhesive
sliders (6 pcs.)

Art.no.
46.1230.000.00

for glass 8 mm

INFO Finishes



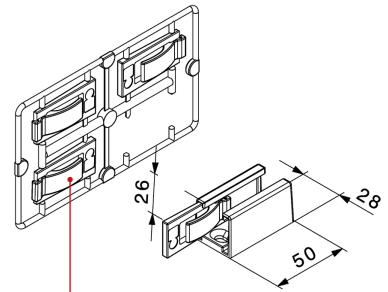
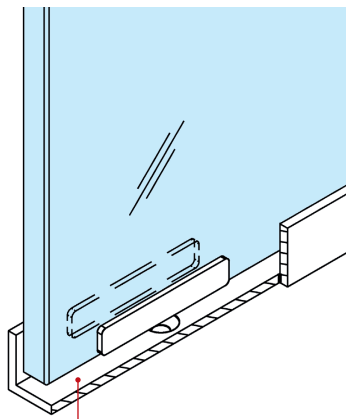
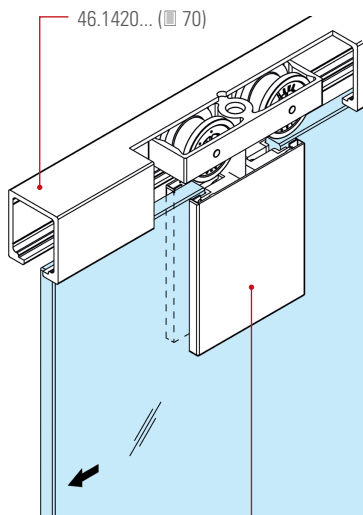
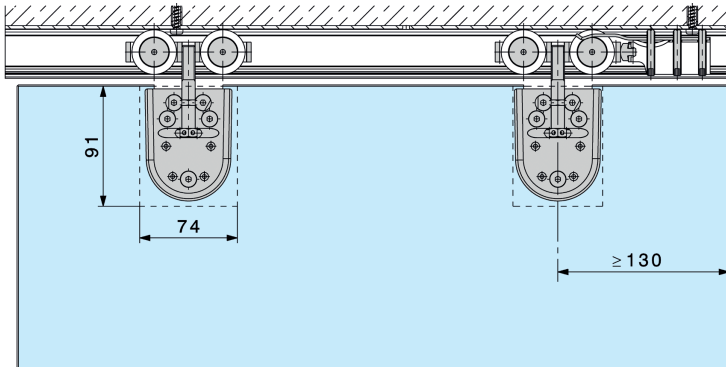
stainless steel effect

anodized / matt chrome

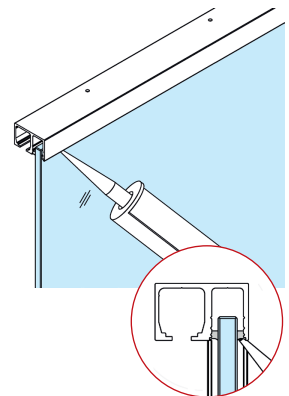
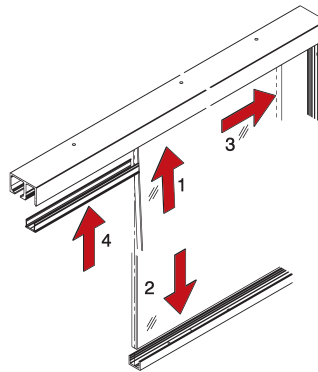
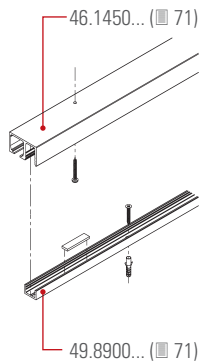
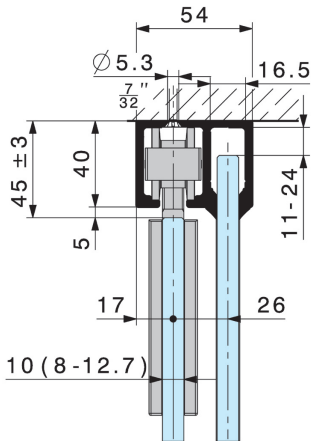
Sliding glass door



INFO Mounting



Fixed glass



INFO Mounting

Glass thickness	Thickness tolerance
ESG*	
8 / 10 / 12 / 12,7 mm	± 0,3 mm

Glass thickness	Film thickness
VSG*	
2 x 4 ± 0,2 mm	0,38 / 0,76 / 1,52 mm
2 x 5 ± 0,2 mm	0,38 / 0,76 / 1,52 mm
2 x 6 ± 0,2 mm	0,38 / 0,76 mm

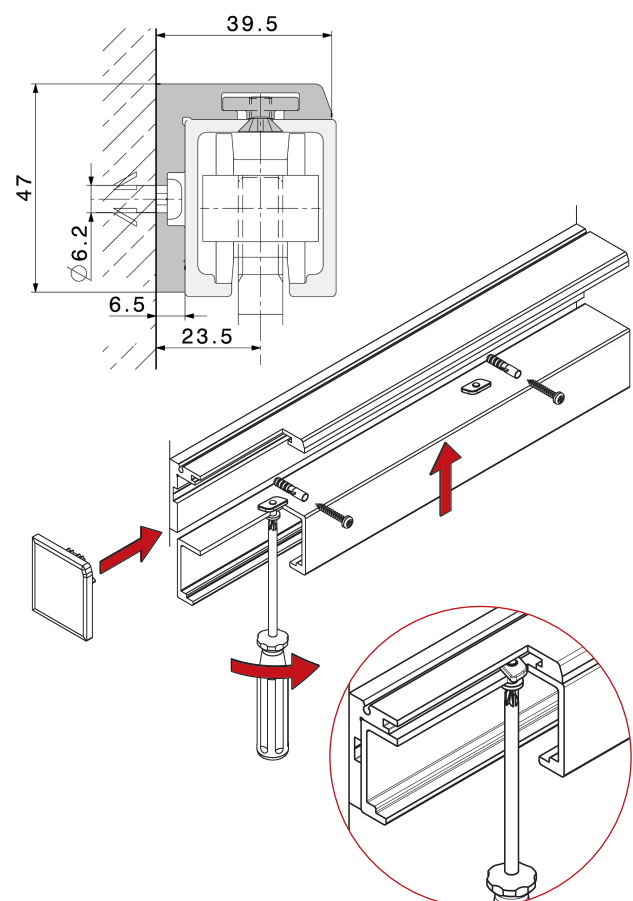
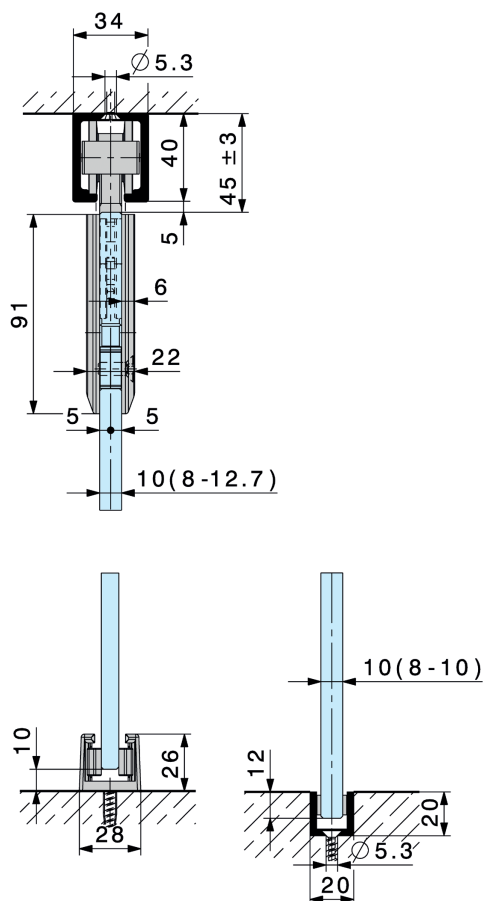
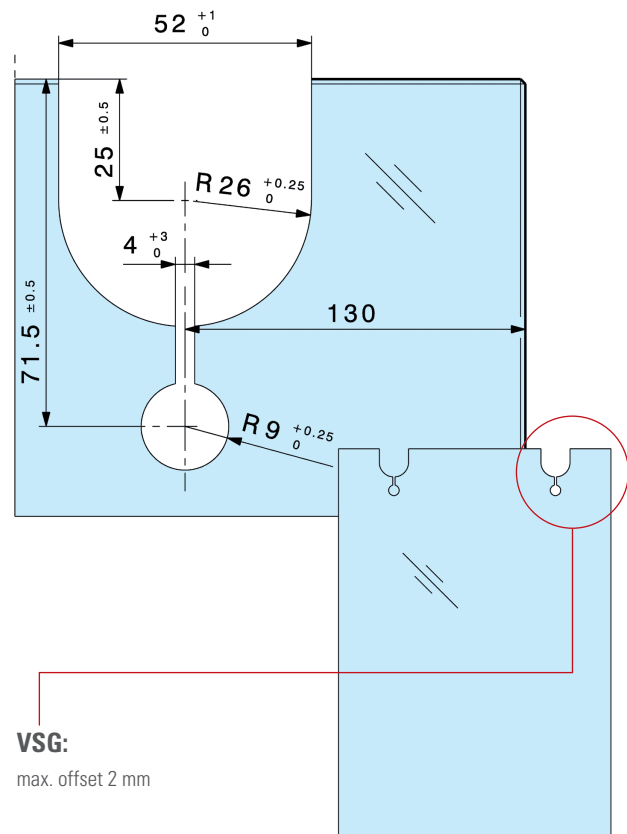
All glass edges are seamed, max. 1 mm in the glass cutout.

*** ESG**

Toughened safety glass

*** VSG**

Laminated safety glass



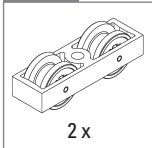
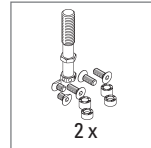
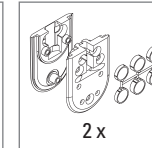
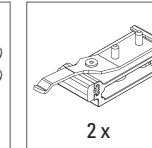
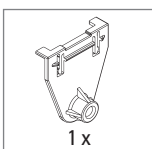
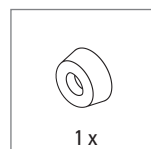
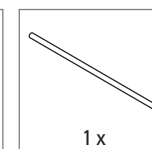
Sliding glass door



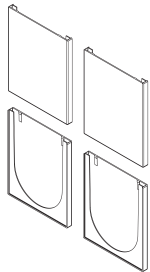
Art.no.	glass
46.1500.000.00	8 - 12,7 mm



INFO Products

 2 x	 2 x	 2 x	 2 x
 1 x	 1 x	 1 x	

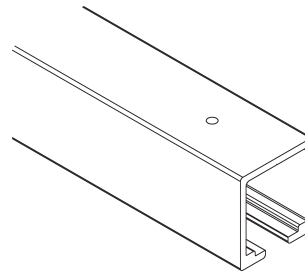
Accessories



Cover cap set, square

matt chrome

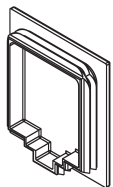
Art.no.
46.1410.000.16



Running track, pre-drilled

plain anodized

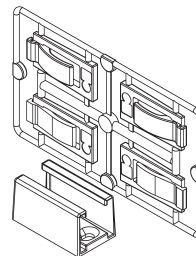
Art.no.	L
46.1520.500.46	5000 mm
46.1520.250.46	2500 mm
46.1520.999.46	cutted



End cap for 46.1520...

anthracite grey

Art.no.
46.1530.000.36

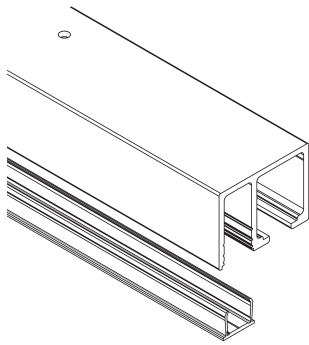


Door sliding guide

matt chrome

Art.no.
46.1440.000.16

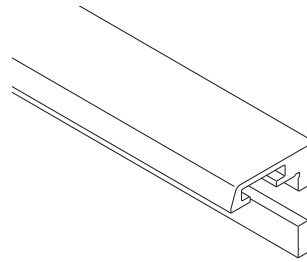
Accessories



Running track set fixed glass,
pre-drilled

plain anodized

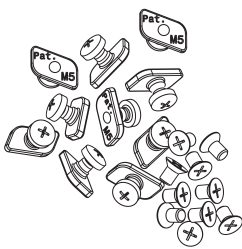
Art.no.	L
46.1550.500.46	5000 mm
46.1550.250.46	2500 mm
46.1550.999.46	cutted



Wall mounting angle profile

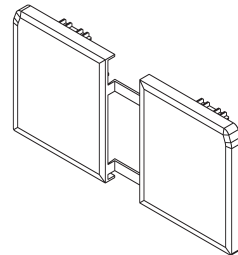
plain anodized

Art.no.	L
46.1560.500.46	5000 mm
46.1560.250.46	2500 mm
46.1560.999.46	cutted



Assembly set (20 pcs.)
for 46.1560...

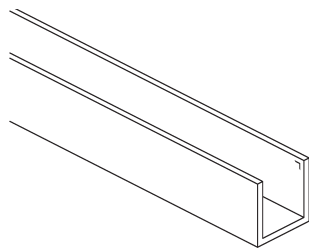
Art.no.	46.1570.000.00
---------	----------------



End caps (pair) for 46.1560...

anthracite grey

Art.no.	46.1580.000.36
---------	----------------

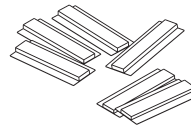


U-channel profile, aluminium

matt anodized

Art.no.	L
49.0900.202.46	5000 mm
49.8925.202.46	2500 mm
49.8900.202.46	cutted

20 x 20 x 20 mm



Self-adhesive
sliders (6 pcs.)

Art.no.	46.1230.000.00
---------	----------------

for glass 8 mm

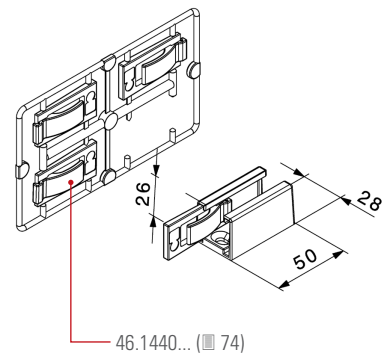
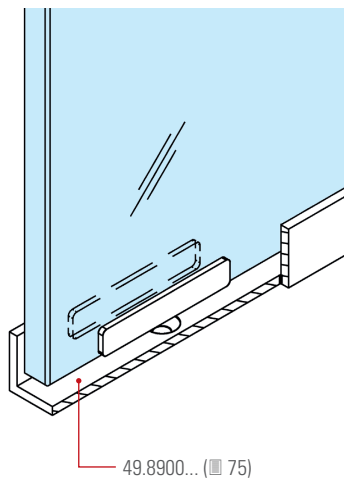
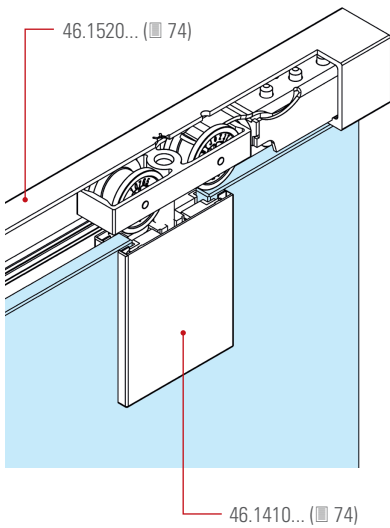
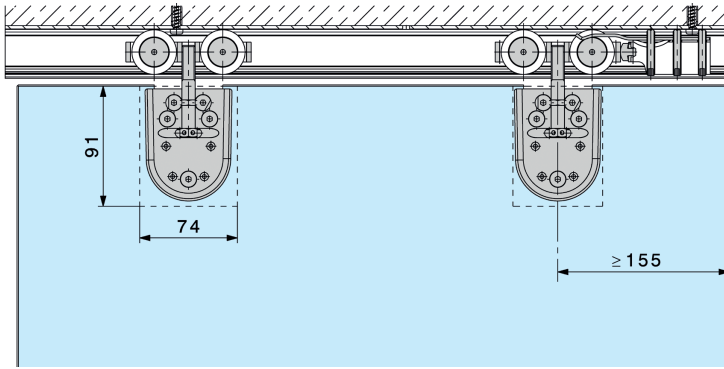
INFO Finishes



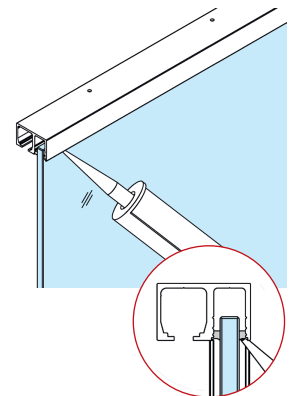
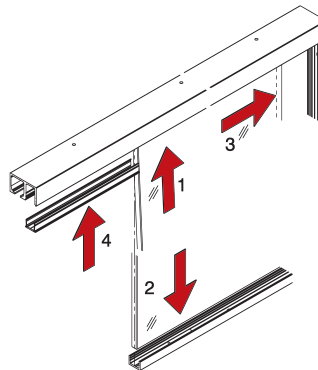
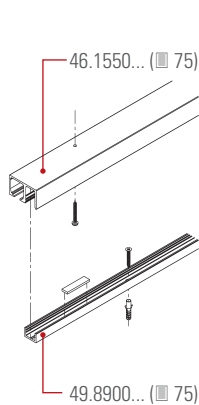
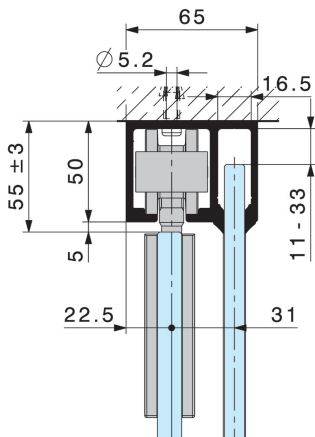
Sliding glass door



INFO Mounting



Fixed glass



INFO Mounting

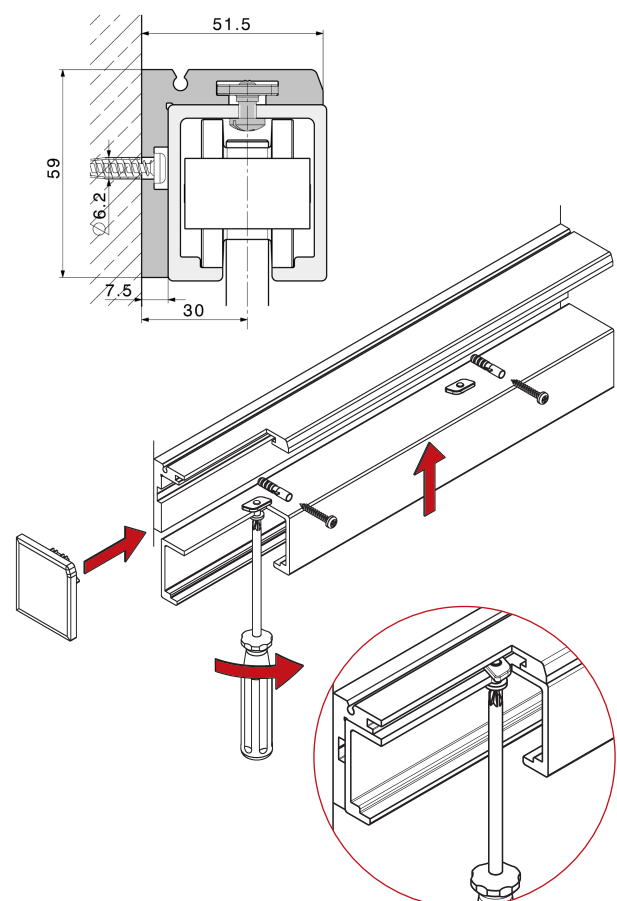
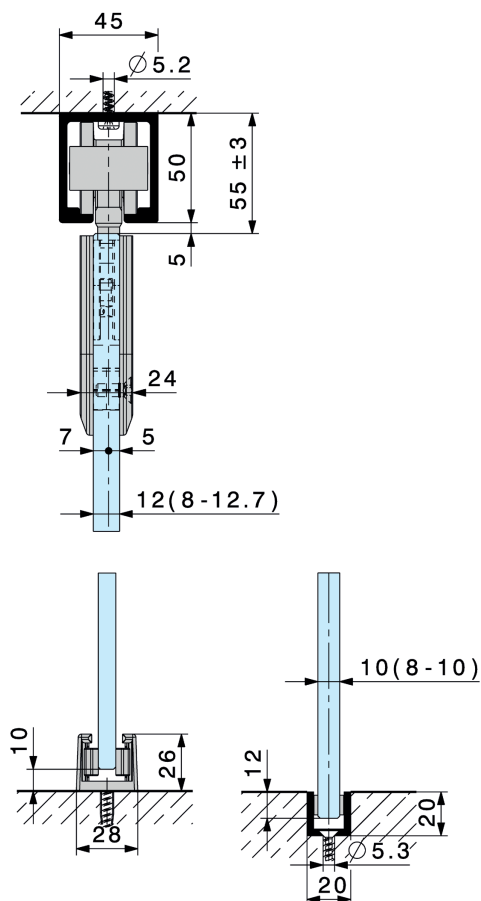
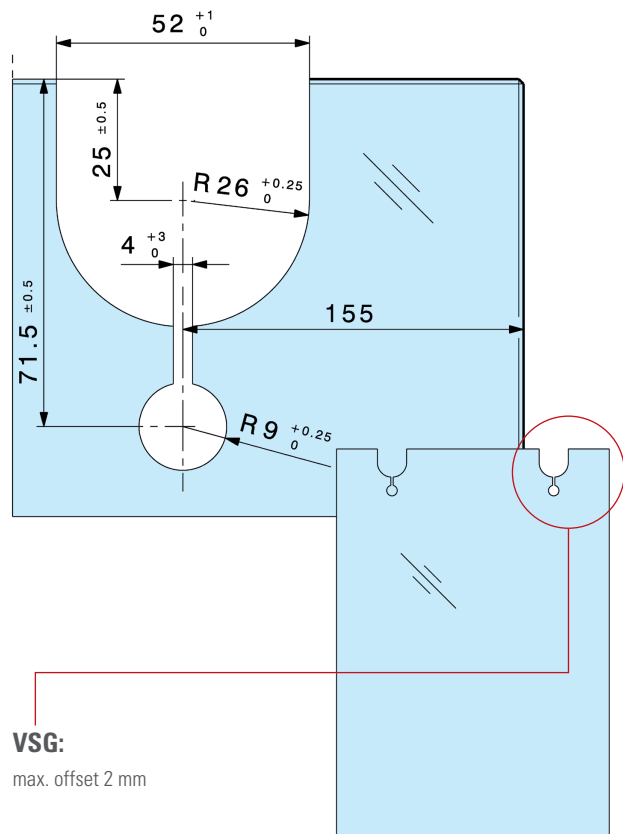
Glass thickness	Thickness tolerance
ESG*	
8 / 10 / 12 / 12,7 mm	± 0,3 mm

Glass thickness	Film thickness
VSG*	
2 x 4 ± 0,2 mm	0,38 / 0,76 / 1,52 mm
2 x 5 ± 0,2 mm	0,38 / 0,76 / 1,52 mm
2 x 6 ± 0,2 mm	0,38 / 0,76 mm

All glass edges are seamed, max. 1 mm in the glass cutout.

*** ESG**
Toughened safety glass

*** VSG**
Laminated safety glass



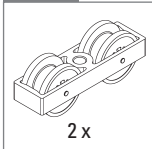
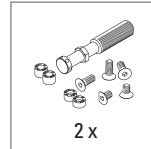
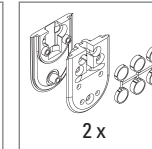
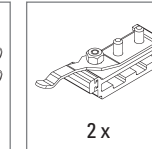
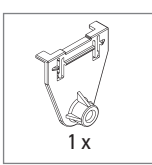
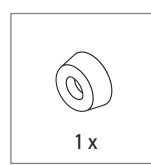
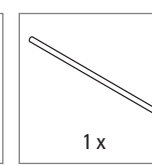
Sliding glass door



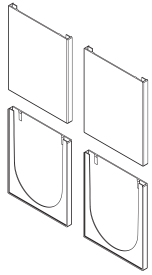
Art.no.	glass
46.1600.000.00	8 - 12,7 mm



INFO Products

 2 x	 2 x	 2 x	 2 x
 1 x	 1 x	 1 x	

Accessories

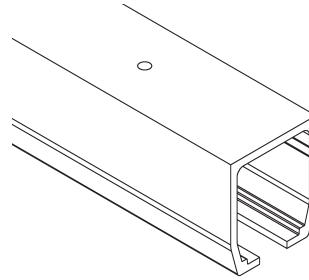


Cover cap set, square

matt chrome

Art.no.

46.1410.000.16



Running track, pre-drilled

plain anodized

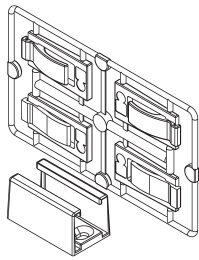
Art.no.

L

46.1620.500.46 5000 mm

46.1620.250.46 2500 mm

46.1620.999.46 cutted

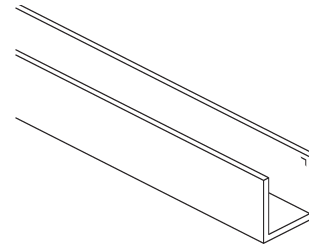


Door sliding guide

matt chrome

Art.no.

46.1440.000.16



U-channel profile, aluminium

matt anodized

Art.no.

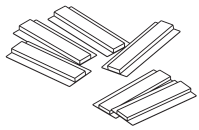
L

49.0900.202.46 5000 mm

49.8925.202.46 2500 mm

49.8900.202.46 cutted

20 x 20 x 20 mm



Self-adhesive sliders (6 pcs.)

Art.no.

46.1230.000.00

for glass 8 mm

INFO Finishes

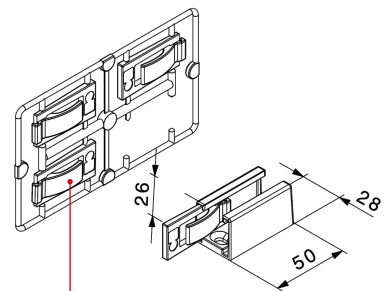
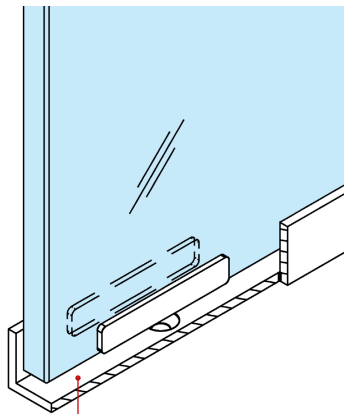
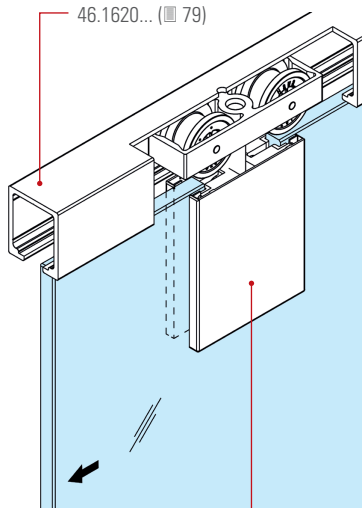
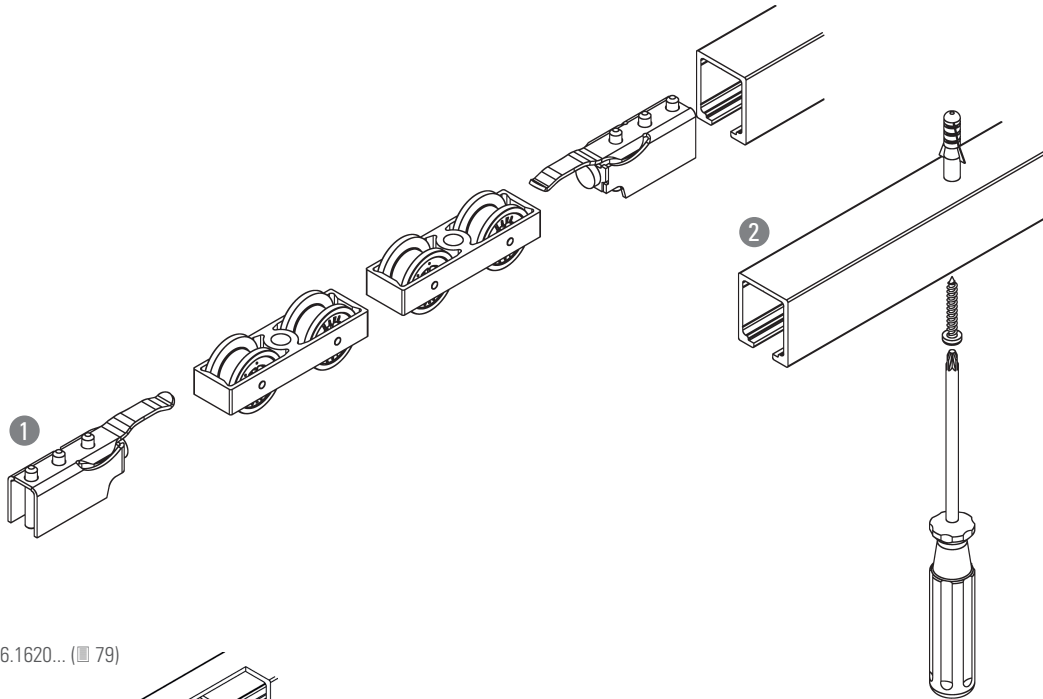
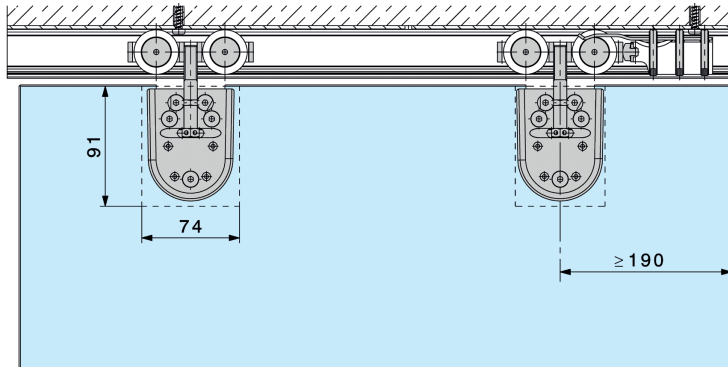


anodized / matt chrome

Sliding glass door



INFO Mounting



46.1440... (■ 79)

INFO Mounting

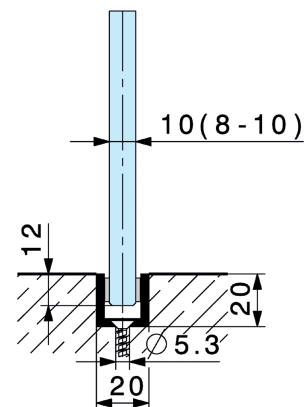
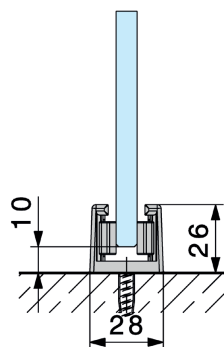
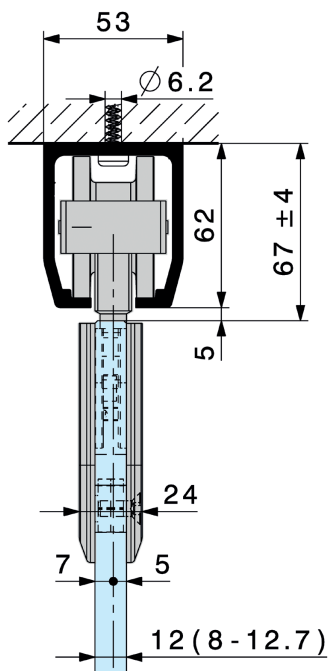
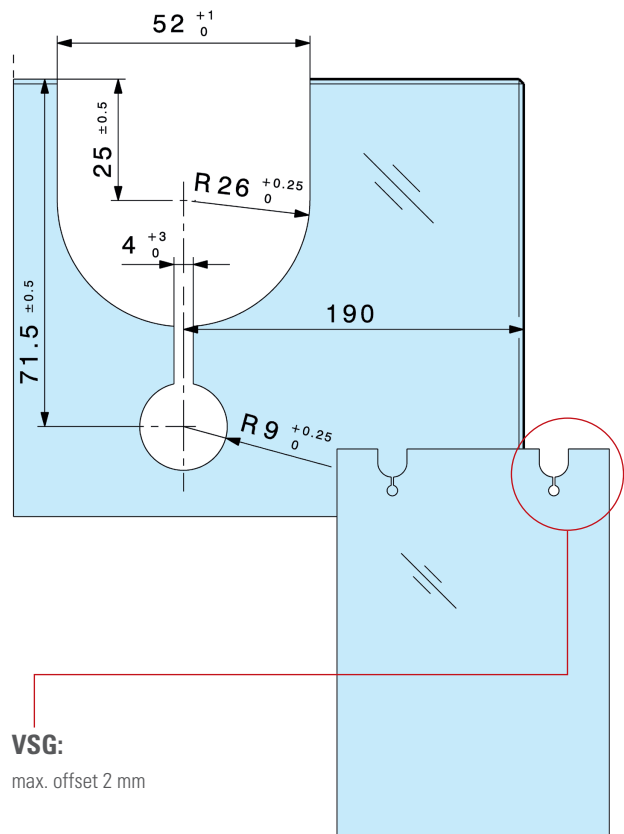
Glass thickness	Thickness tolerance
ESG*	
8 / 10 / 12 / 12,7 mm	± 0,3 mm

Glass thickness	Film thickness
VSG*	
2 x 4 ± 0,2 mm	0,38 / 0,76 / 1,52 mm
2 x 5 ± 0,2 mm	0,38 / 0,76 / 1,52 mm
2 x 6 ± 0,2 mm	0,38 / 0,76 mm

All glass edges are seamed, max. 1 mm in the glass cutout.

*** ESG**
Toughened safety glass

*** VSG**
Laminated safety glass



Sliding glass doors



1

INFO Mounting

1

Glass thickness

- → ≥ 8 mm
- ≥ 10 mm
- ≥ 12 mm
- ≤ 12,7 mm

2

3

4

5

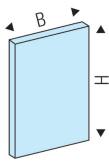
6

7

8

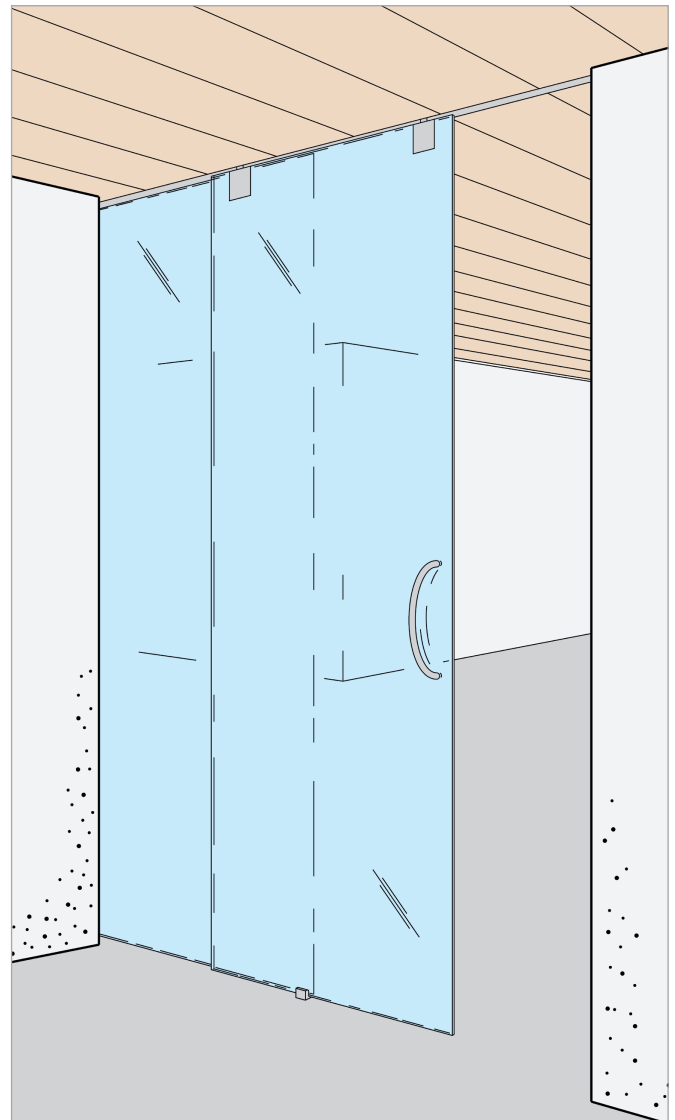
9

Door weights



Panel weights glass

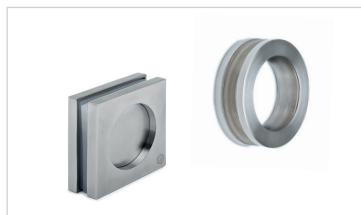
B x H (mm)	6 mm	8 mm	10 mm	12,7 mm
700 x 2100	22,1	29,4	36,7	46,7
750 x 2100	23,6	31,5	39,3	50,0
800 x 2100	25,2	33,6	42,0	53,4
850 x 2100	26,8	35,7	44,6	56,7
900 x 2100	28,4	37,8	47,2	60,1
950 x 2100	30,0	39,9	49,8	63,4
1000 x 2100	31,5	42,0	52,5	66,7
1100 x 2100	-	46,2	57,7	73,4
1200 x 2100	-	50,4	63,0	80,1
1300 x 2100	-	54,6	68,2	86,8
1400 x 2100	-	58,8	73,5	93,4
1500 x 2100	-	63,0	78,7	-
1600 x 2100	-	67,2	84,0	-
700 x 2400	-	-	42,0	53,4
750 x 2400	-	-	45,0	57,2
800 x 2400	-	-	48,0	61,0
850 x 2400	-	-	51,0	64,8
900 x 2400	-	-	54,0	68,6
950 x 2400	-	-	57,0	72,5
1000 x 2400	-	-	60,0	76,3
1100 x 2400	-	-	66,0	83,9
1200 x 2400	-	-	72,0	91,5
1300 x 2400	-	-	78,0	99,2
1400 x 2400	-	-	84,0	-
1500 x 2400	-	-	90,0	-
1600 x 2400	-	-	96,0	-
1000 x 2700	-	-	67,5	85,9
1200 x 2700	-	-	81,0	-
1300 x 2700	-	-	87,8	-
1400 x 2700	-	-	94,5	-
kg / m²	15,0	20,0	25,0	31,8







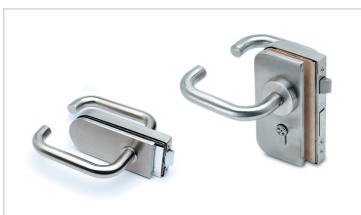
2 Door handles 86



2 Recessed grips 94



2 Door knobs 95




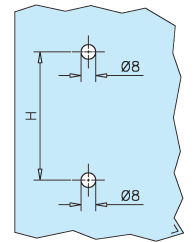
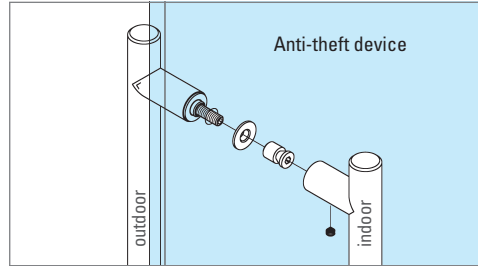
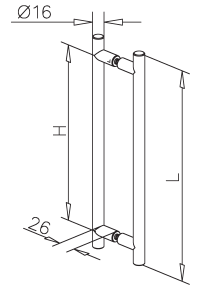
2 Door locks 96

Door handle - 53 / 16

double-sided




Ø	Stainless steel design	Chrome design	L	H	
	Art.no.	Art.no.			
16,0 mm	47.5302.016.12	47.5302.016.10	200 mm	150 mm	1
16,0 mm	47.5303.016.12	47.5303.016.10	300 mm	250 mm	1
16,0 mm	47.5304.016.12	47.5304.016.10	400 mm	350 mm	1
16,0 mm	47.5305.016.12	47.5305.016.10	500 mm	450 mm	1

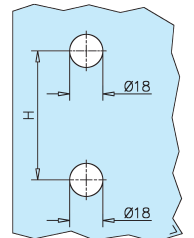
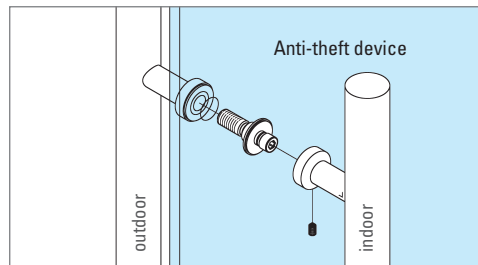
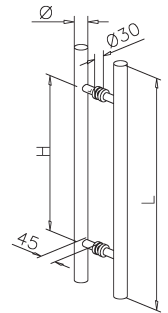


Door handle - 54

double-sided




Ø	Stainless steel design	Chrome design	L	H	
	Art.no.	Art.no.			
25,0 mm	47.5403.025.12	47.5403.025.10	300 mm	200 mm	1
25,0 mm	47.5404.025.12	47.5404.025.10	450 mm	300 mm	1
32,0 mm	47.5404.032.12	47.5404.032.10	450 mm	300 mm	1
32,0 mm	47.5406.032.12	47.5406.032.10	600 mm	400 mm	1
32,0 mm	47.5408.032.12	47.5408.032.10	800 mm	600 mm	1

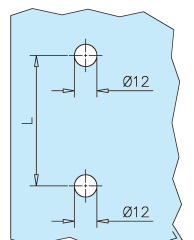
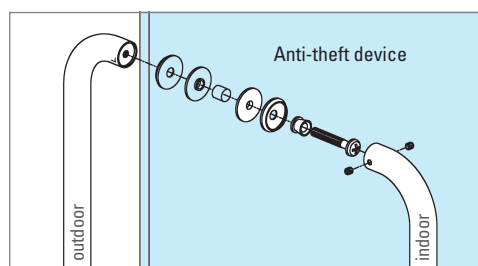
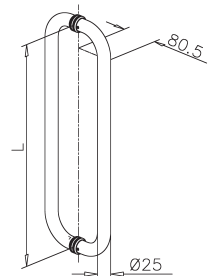


Door handle - 51

double-sided



Ø	Stainless steel design	L	
	Art.no.		
25,0 mm	47.5100.275.12	275 mm	1
25,0 mm	47.5100.460.12	460 mm	1
25,0 mm	47.5100.610.12	610 mm	1



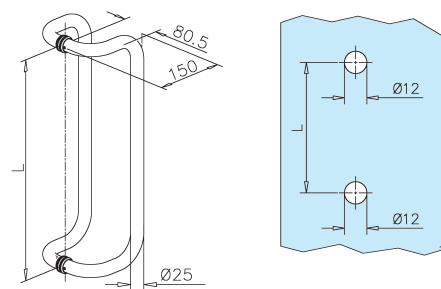
Door handle - 52

90° - double-sided



Stainless steel design

Art.no.	L	
47.5200.275.12	275 mm	1
47.5200.460.12	460 mm	1
47.5200.610.12	610 mm	1



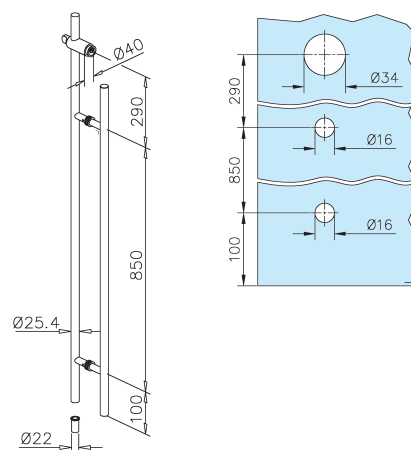
Door handle - 201

with lock system - double-sided

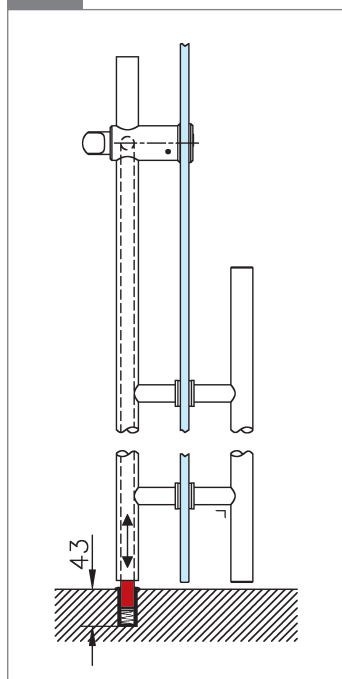


Stainless steel design

Art.no.	glass	
47.0201.025.12	10 - 12 mm	1



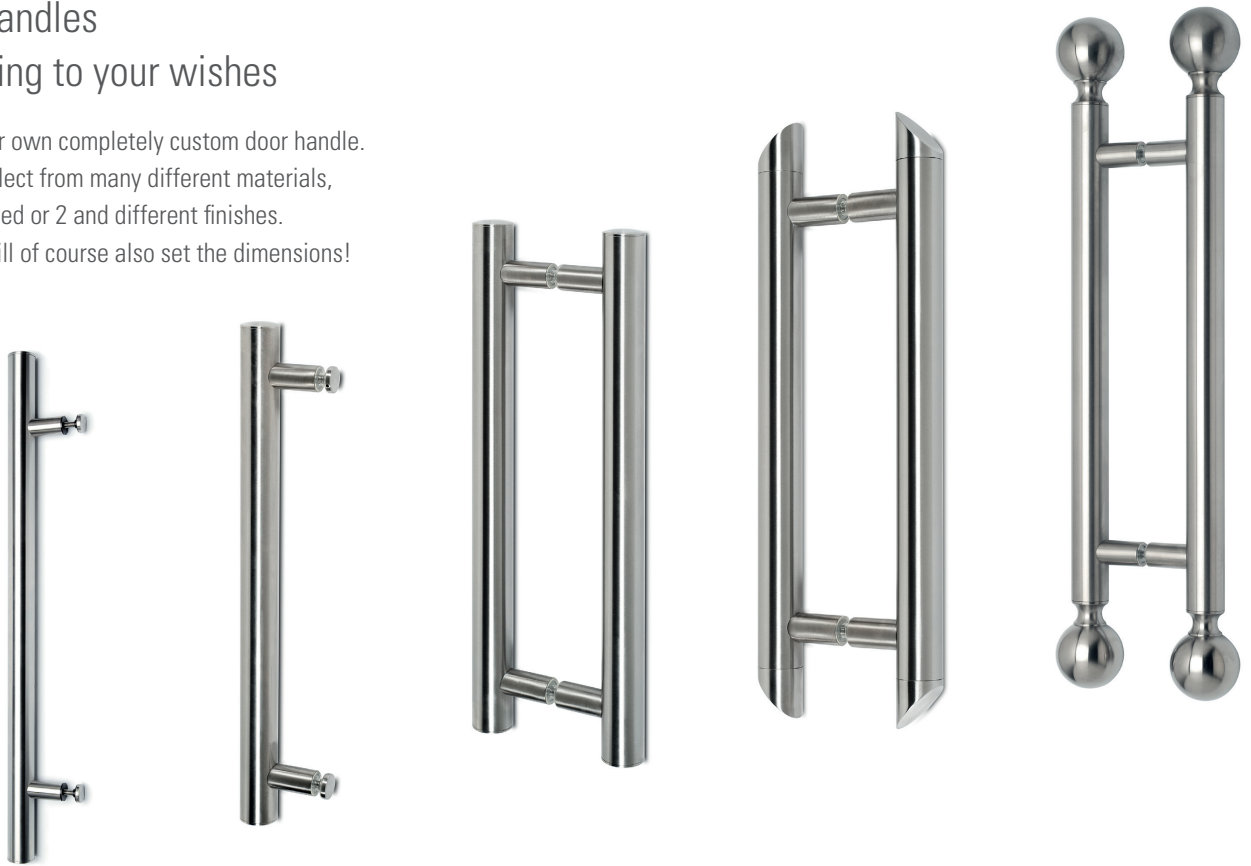
INFO 47.0201.025.12



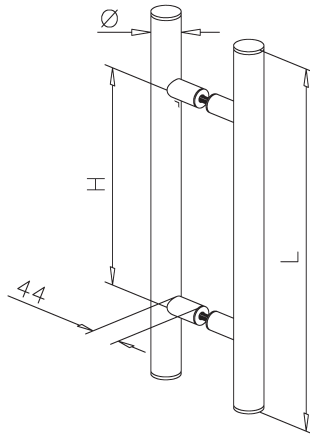
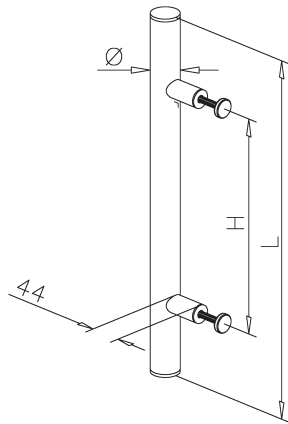
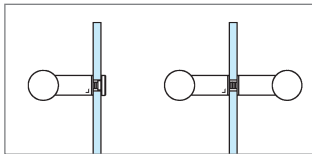
Door handles according to your wishes

Create your own completely custom door handle. You can select from many different materials, sizes, 1-sided or 2 and different finishes. And you will of course also set the dimensions!

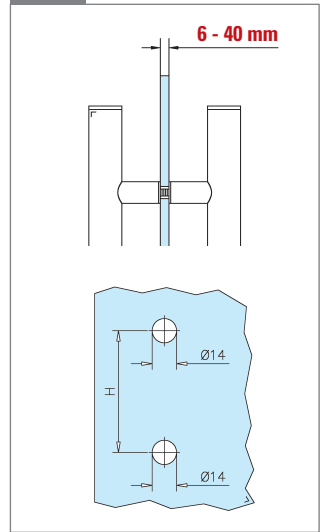
2



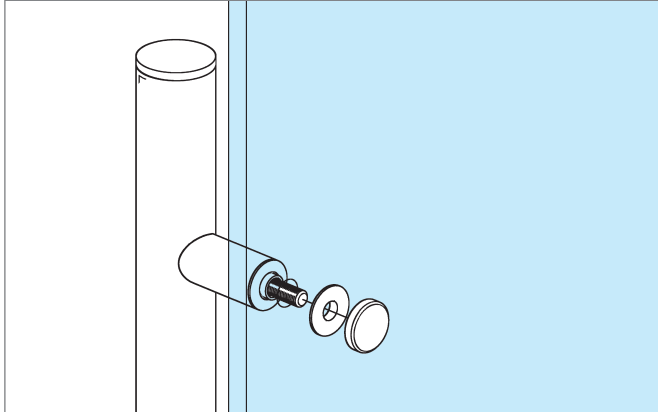
Adapter 90°



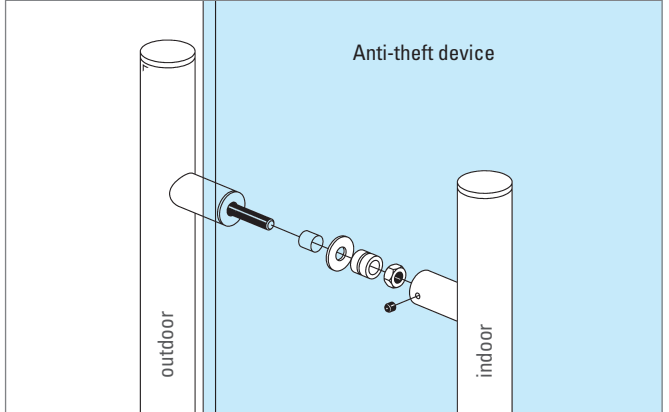
INFO glass / wood



INFO one-sided

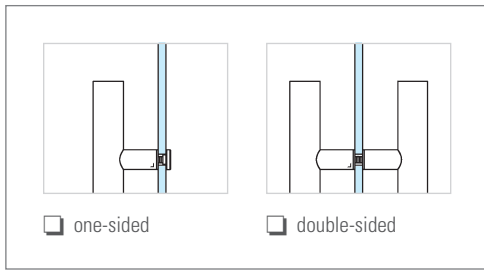


INFO double-sided



Proposal inquiry

2



- Stainless steel design
- Chrome design
- Brass design

Pieces:

1

- Flat end caps
 - Ø 19,0 mm
 - Ø 25,4 mm
 - Ø 38,1 mm
 - Ø 50,8 mm

4

- End caps 45°
 - Ø 19,0 mm
 - Ø 25,4 mm
 - Ø 38,1 mm
 - Ø 50,8 mm

2

- Domed end caps
 - Ø 25,4 mm
 - Ø 38,1 mm
 - Ø 50,8 mm

5

- Ball tops
 - Ø 25,4 mm
 - Ø 38,1 mm

3

- Arched end caps
 - Ø 19,0 mm
 - Ø 25,4 mm
 - Ø 38,1 mm
 - Ø 50,8 mm

L: _____ mm

L ≤ 1500 mm

L > 1500 mm

H: _____ mm

1

H max.
 Ø 19,0: L - 35 mm
 Ø 25,4: L - 50 mm
 Ø 38,1: L - 50 mm
 Ø 50,8: L - 60 mm

2

H max.
 Ø 25,4: L - 70 mm
 Ø 38,1: L - 80 mm
 Ø 50,8: L - 100 mm

3

H max.
 Ø 19,0: L - 40 mm
 Ø 25,4: L - 50 mm
 Ø 38,1: L - 60 mm
 Ø 50,8: L - 60 mm

4

H max.
 Ø 19,0: L - 90 mm
 Ø 25,4: L - 100 mm
 Ø 38,1: L - 135 mm
 Ø 50,8: L - 160 mm

5

H max.
 Ø 25,4: L - 180 mm
 Ø 38,1: L - 250 mm

Sender

Name _____

Telephone _____

Company _____

Fax _____

Street _____

E-Mail _____

Postcode, town _____

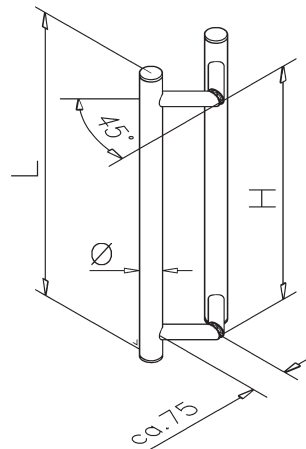
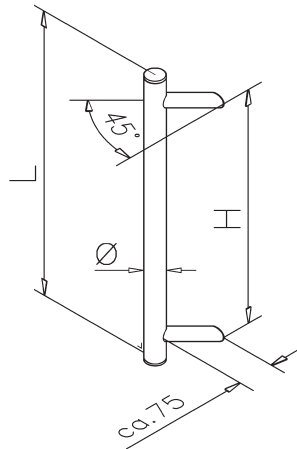
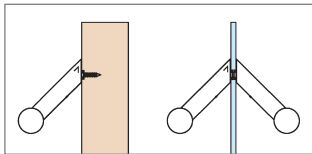
Door handles with a difference

If you want an even more customised solution, then the 45° design door handles are just right for you. With this option too, you can select from many different materials, sizes, 1-sided or 2 and different finishes.

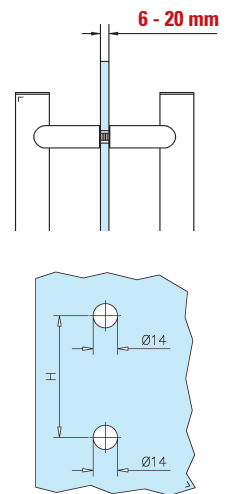
And you also get to set the dimensions yourself!



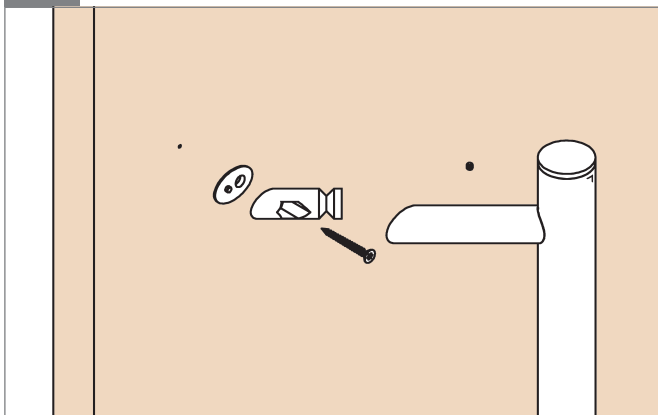
Adapter 45°



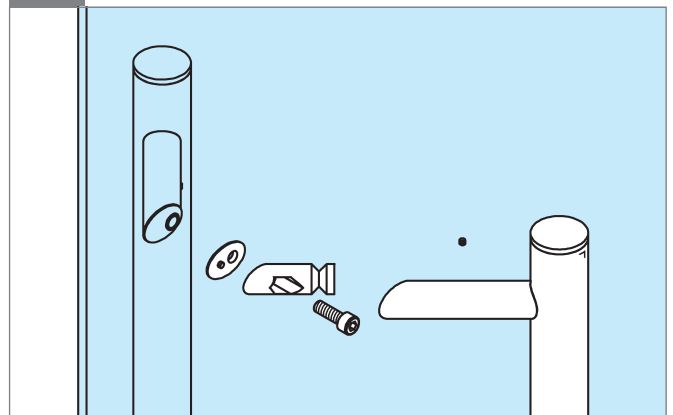
INFO glass / wood



INFO one-sided

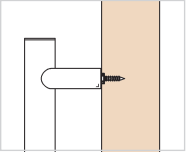


INFO double-sided

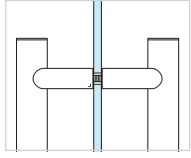


Proposal inquiry

2



one-sided



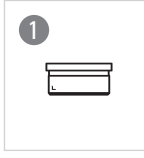
double-sided

Stainless steel design

Chrome design

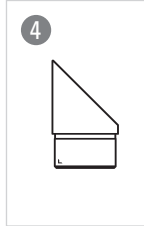
Pieces: _____

1




- Flat end caps
- Ø 25,4 mm
- Ø 38,1 mm

4




- End caps 45°
- Ø 25,4 mm
- Ø 38,1 mm

2




- Domed end caps
- Ø 25,4 mm
- Ø 38,1 mm

5



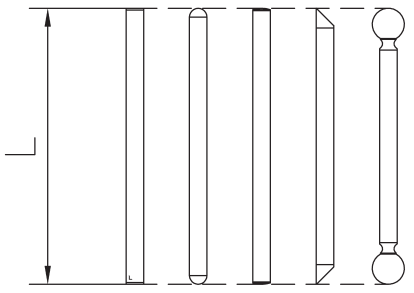
- Ball tops
- Ø 25,4 mm
- Ø 38,1 mm

3




- Arched end caps
- Ø 25,4 mm
- Ø 38,1 mm

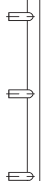
L: _____ mm



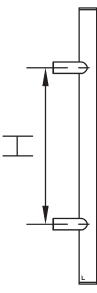
L ≤ 1500 mm




L > 1500 mm




H: _____ mm




1



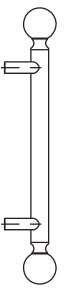
2



3



4



5

H max.
Ø 25,4: L - 50 mm
Ø 38,1: L - 50 mm

H max.
Ø 25,4: L - 70 mm
Ø 38,1: L - 80 mm

H max.
Ø 25,4: L - 50 mm
Ø 38,1: L - 60 mm

H max.
Ø 25,4: L - 100 mm
Ø 38,1: L - 135 mm

H max.
Ø 25,4: L - 180 mm
Ø 38,1: L - 250 mm

Sender

Name _____

Telephone _____

Company _____

Fax _____

Street _____

E-Mail _____

Postcode, town _____

Door handles with swing

Or do you prefer a curved design?

You have many options to choose from.

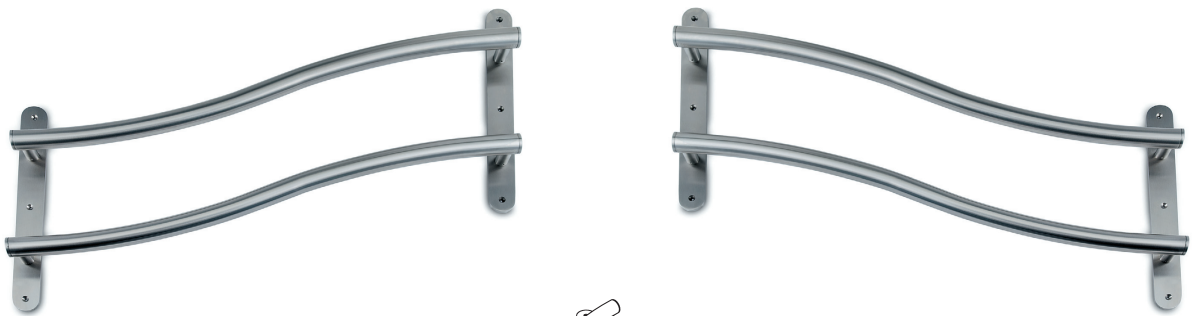
Here are some examples of already completed designs. Other designs are possible based on your requirements.

Please contact us so we can provide advice.

2

Examples

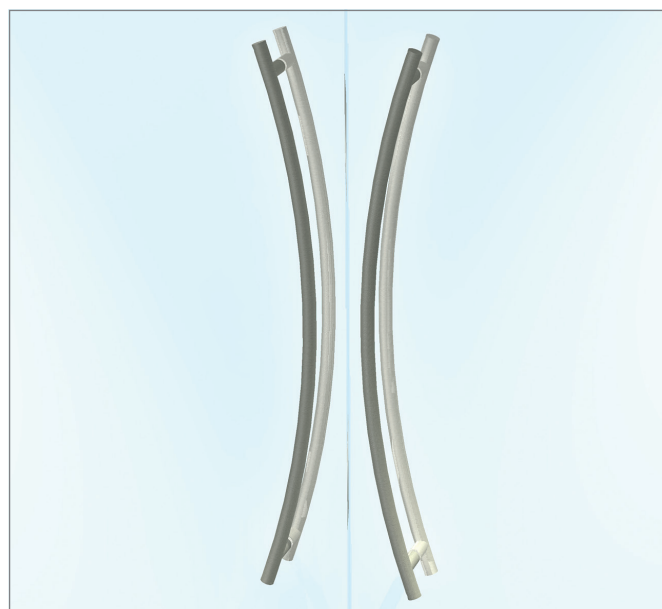
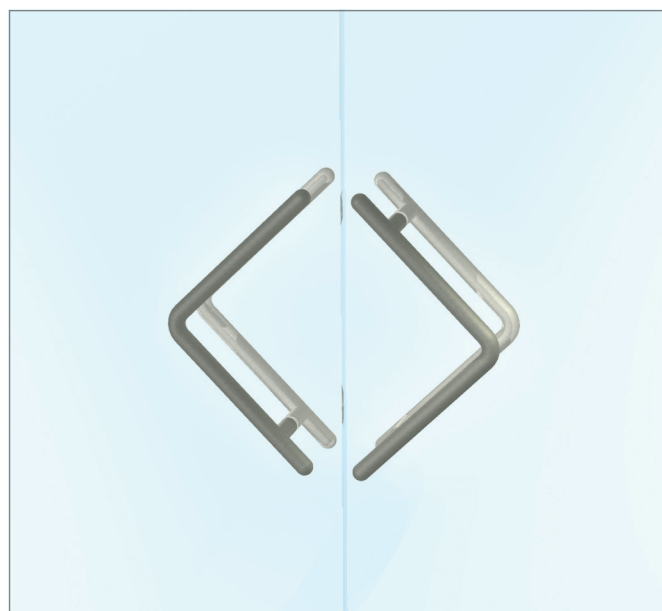
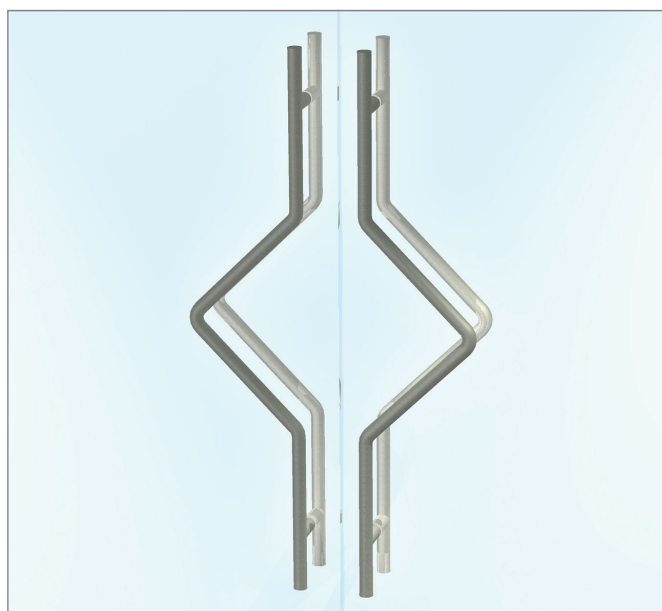
Door handle - 510



Door handle - 550



Examples

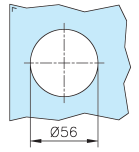
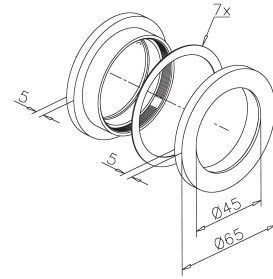
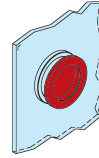


Recessed grip - 103



Stainless steel design

Chrome design



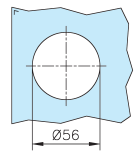
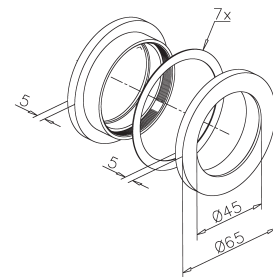
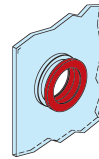
Art.no.	Art.no.	glass	
47.0103.065.12	47.0103.065.10	8 - 12 mm	2

Open recessed grip - 104



Stainless steel design

Chrome design



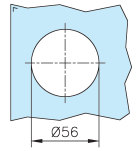
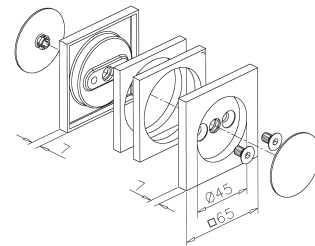
Art.no.	Art.no.	glass	
47.0104.065.12	47.0104.065.10	8 - 12 mm	2

Square recessed grip - 4103



Stainless steel design

Chrome design



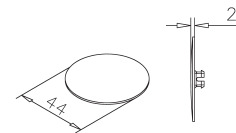
Art.no.	Art.no.	glass	
47.4103.465.12	47.4103.465.10	8 - 12 mm	2

Cover caps for square recessed grip

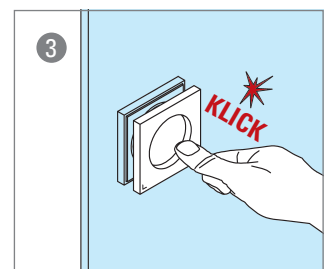
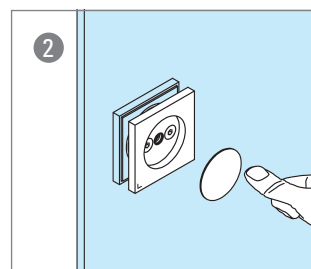
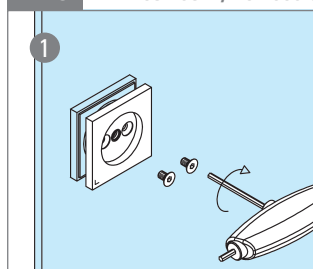


nylon

Art.no.	colour	
19.7006.044.20	Protectan, stainless steel effect	2
19.7006.044.23	Protectan, chrome effect polished	2
19.7006.044.31	jet black, RAL 9005	2
19.7006.044.34	signal red, RAL 3001	2
19.7006.044.35	gentian blue, RAL 5010	2



INFO 47.4103.465... / 19.7006.044...



Door knob - 101

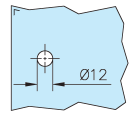
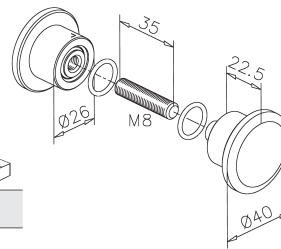


double-sided

Stainless steel design

Chrome design

Art.no.	Art.no.	glass	
47.0101.040.12	47.0101.040.10	8 - 12 mm	1



Door knob - 102

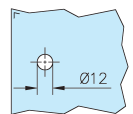
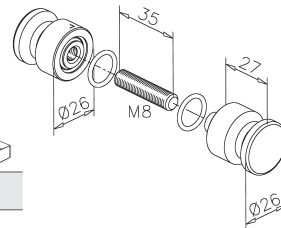


double-sided

Stainless steel design

Chrome design

Art.no.	Art.no.	glass	
47.0102.025.12	47.0102.025.10	8 - 12 mm	2



Door knob - 105

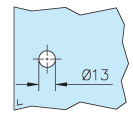
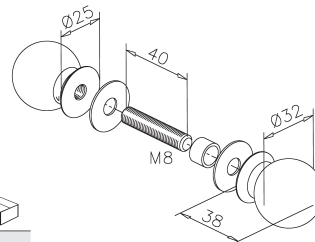


double-sided

Stainless steel design

Chrome design

Art.no.	Art.no.	glass	
47.0105.032.12	47.0105.032.10	8 - 12 mm	1



Door knob - 106



double-sided

Stainless steel design

Chrome design

Art.no.	Art.no.	glass	
47.0106.038.12	47.0106.038.10	8 - 12 mm	1

